

# BASEBOARD COM-EXPRESS TYPE 6 MINI-ITX

## DISCLAIMER

SECO SRL provides these schematics only in accordance to support the receiver company for its internal activities .  
 The schematics are provided "AS IS". SECO make no representations about the suitability of these materials for any purpose and disclaim all warranties and conditions with regard to these materials, including but not limited to, all implied warranties and conditions of merchantability, fitness for a particular purpose, title and non-infringement of any third party intellectual property right.  
 You acknowledge and agree that these schematics are provided as an example only and that you will exercise your own independent analysis and judgment in your use of these materials.  
 SECO assumes no liability for your use of these materials or your product design.  
 The schematic and the information provided are subjected to obligations of secrecy, thus the receiver has the obligation to not disclose to third parties and to only utilize such information for internal use.

## Reference Table

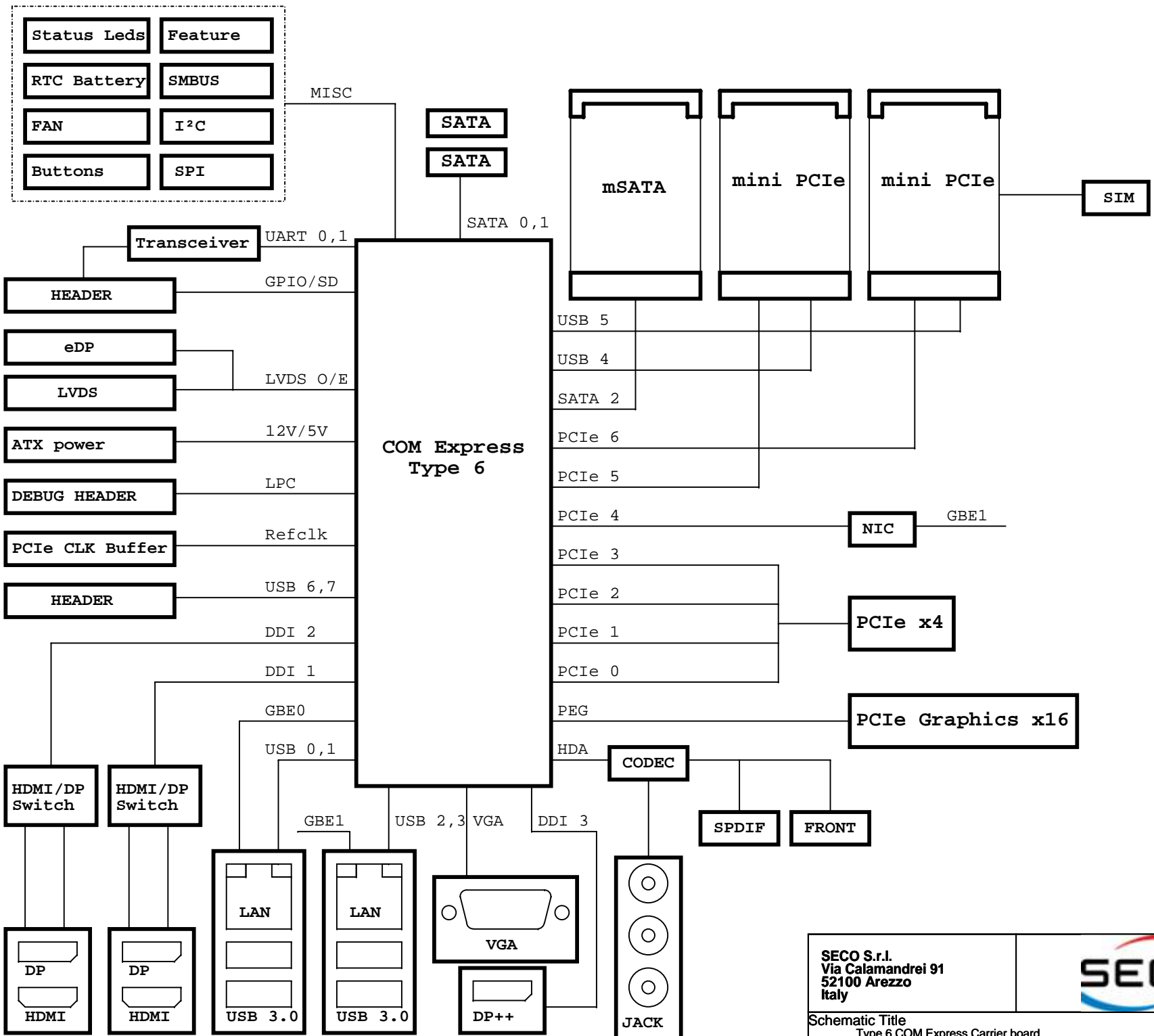
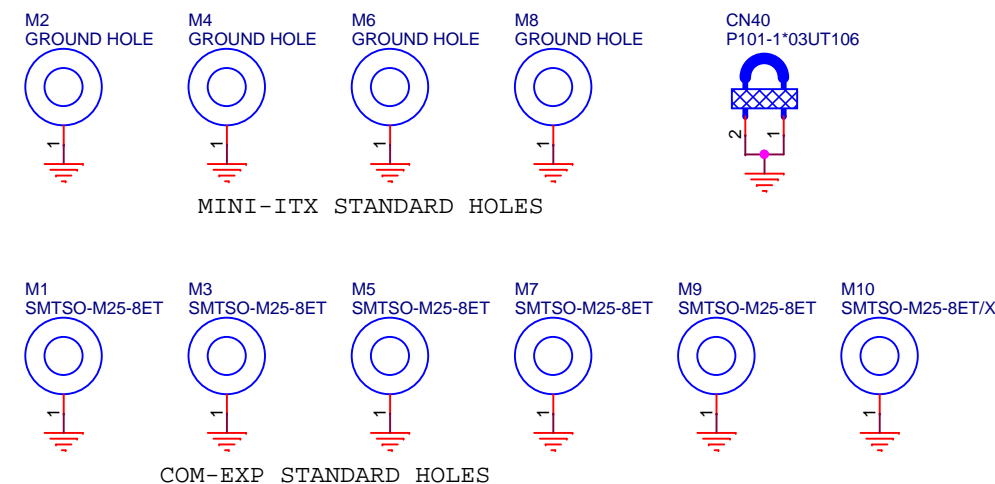
Capacitors CC (Ceramic), CE (Electrolytic), CT (Tantalum):  
 After the value, it is shown the Minimum Rated Voltage (MRV).  
 If this it is not shown, then it is implicit that MRV is 6.3V.  
 Components with /X indications are foreseen in the PCB but must not be mounted

## Revision History

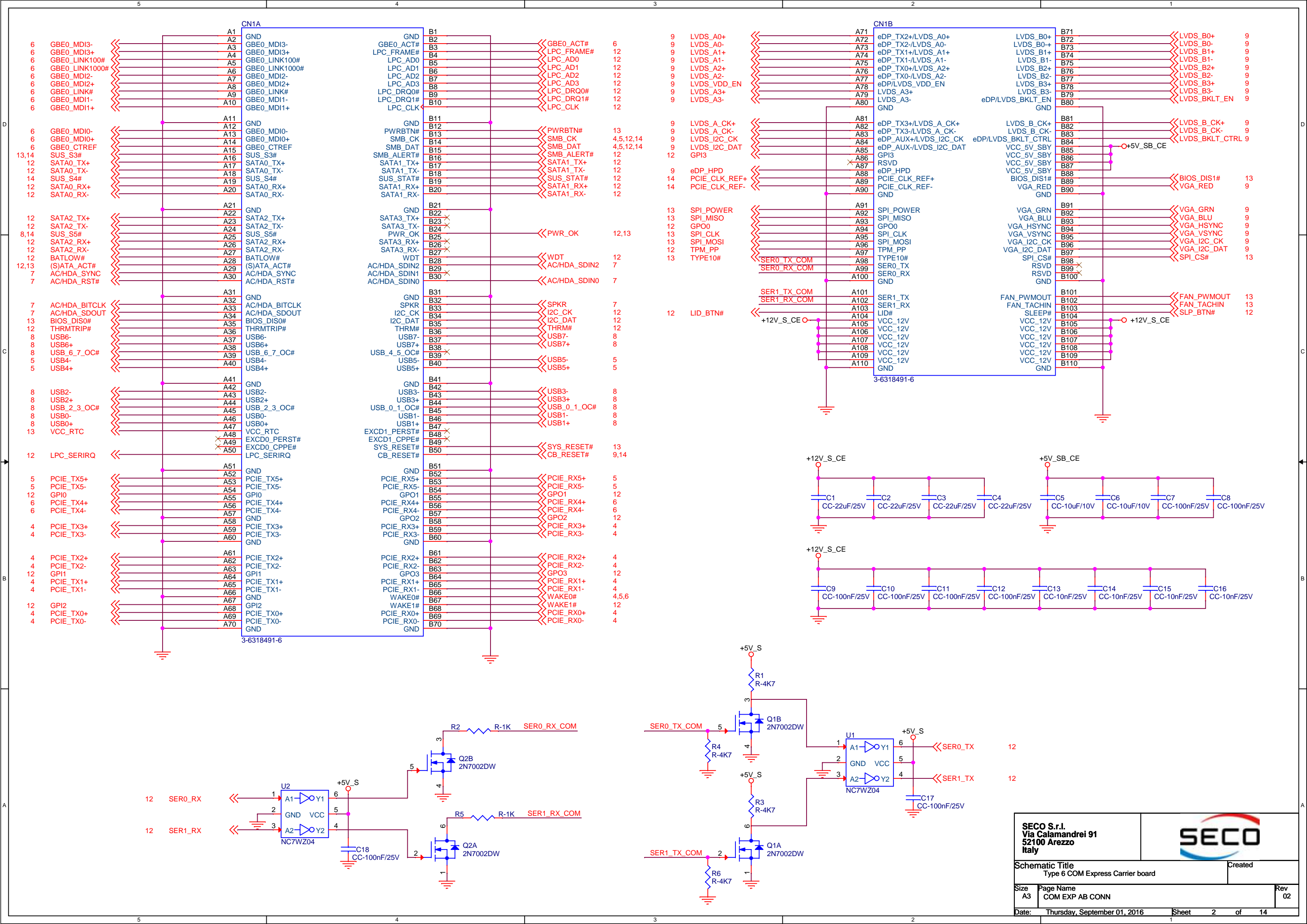
Rev. 02: changed U32 as /X (not to mount)

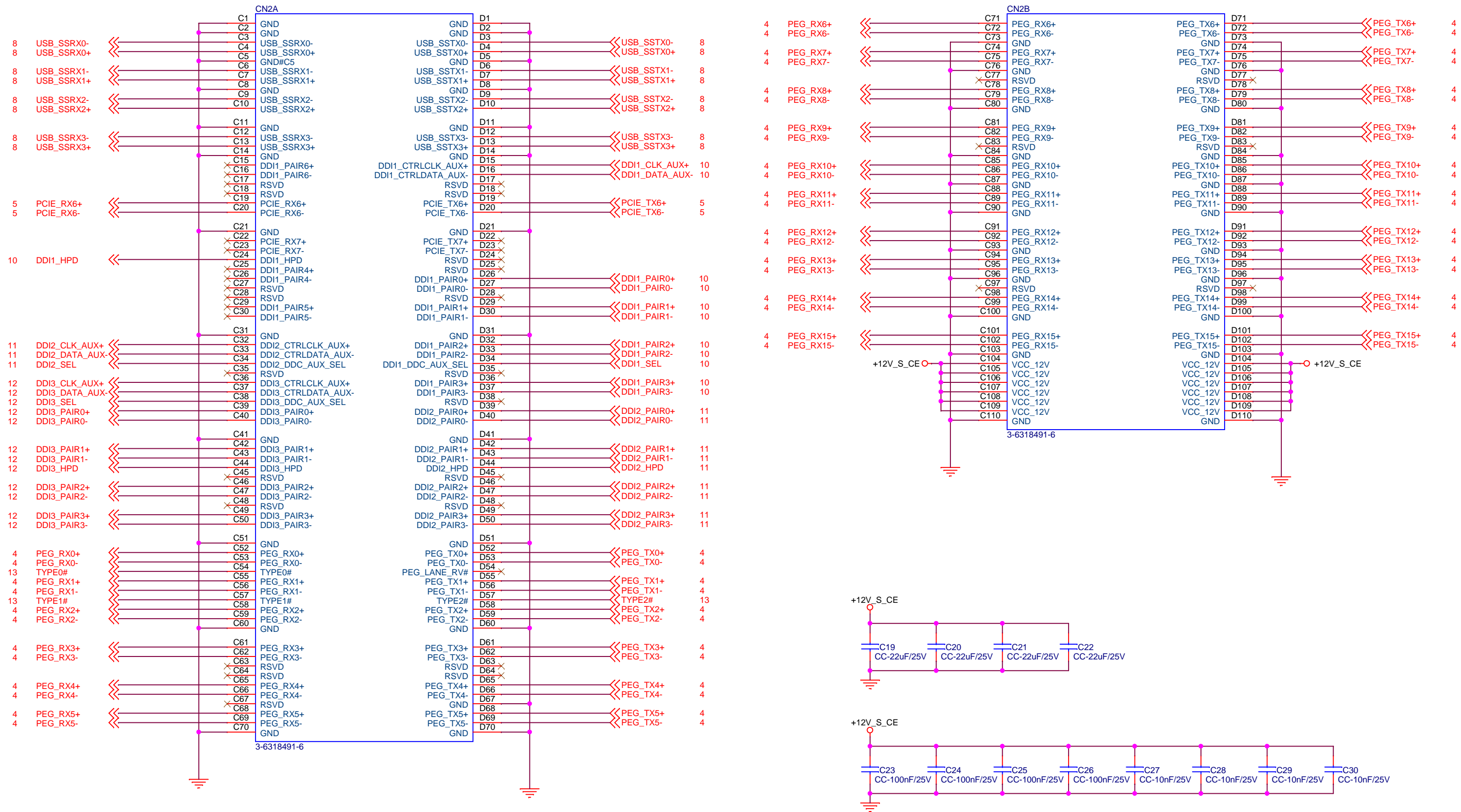
## Content

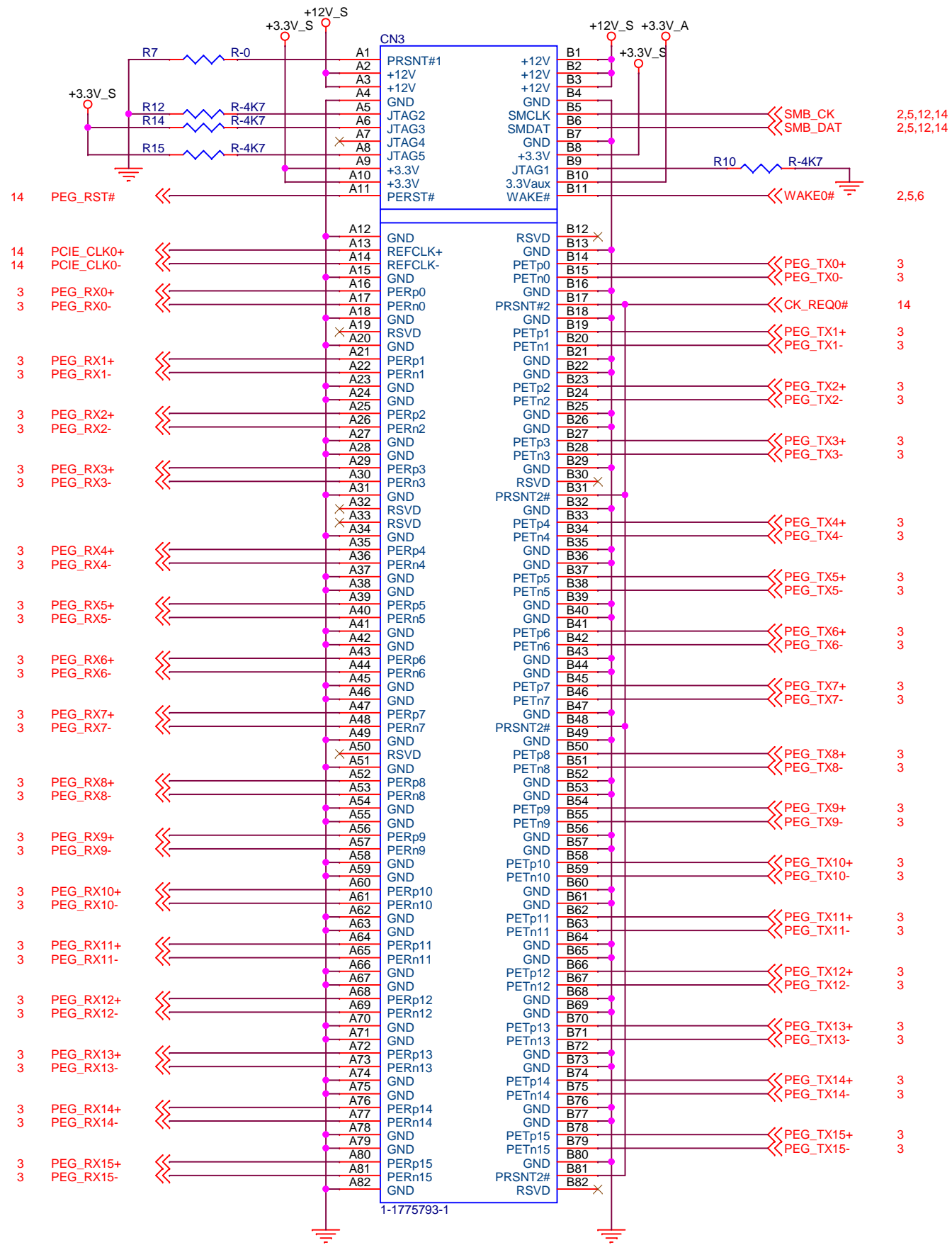
Page 1	MAIN
Page 2	COM Express connector AB
Page 3	COM Express connector CD
Page 4	PEG / PCIeX x4
Page 5	MINI CARD
Page 6	GIGABIT ETH
Page 7	HD AUDIO
Page 8	USB 2.0/3.0
Page 9	LCD / VGA
Page 10	HDMI DP 1
Page 11	HDMI DP 2
Page 12	SATA / FEATURE
Page 13	PWR / BATT / FAN
Page 14	AUX POWER / CLK



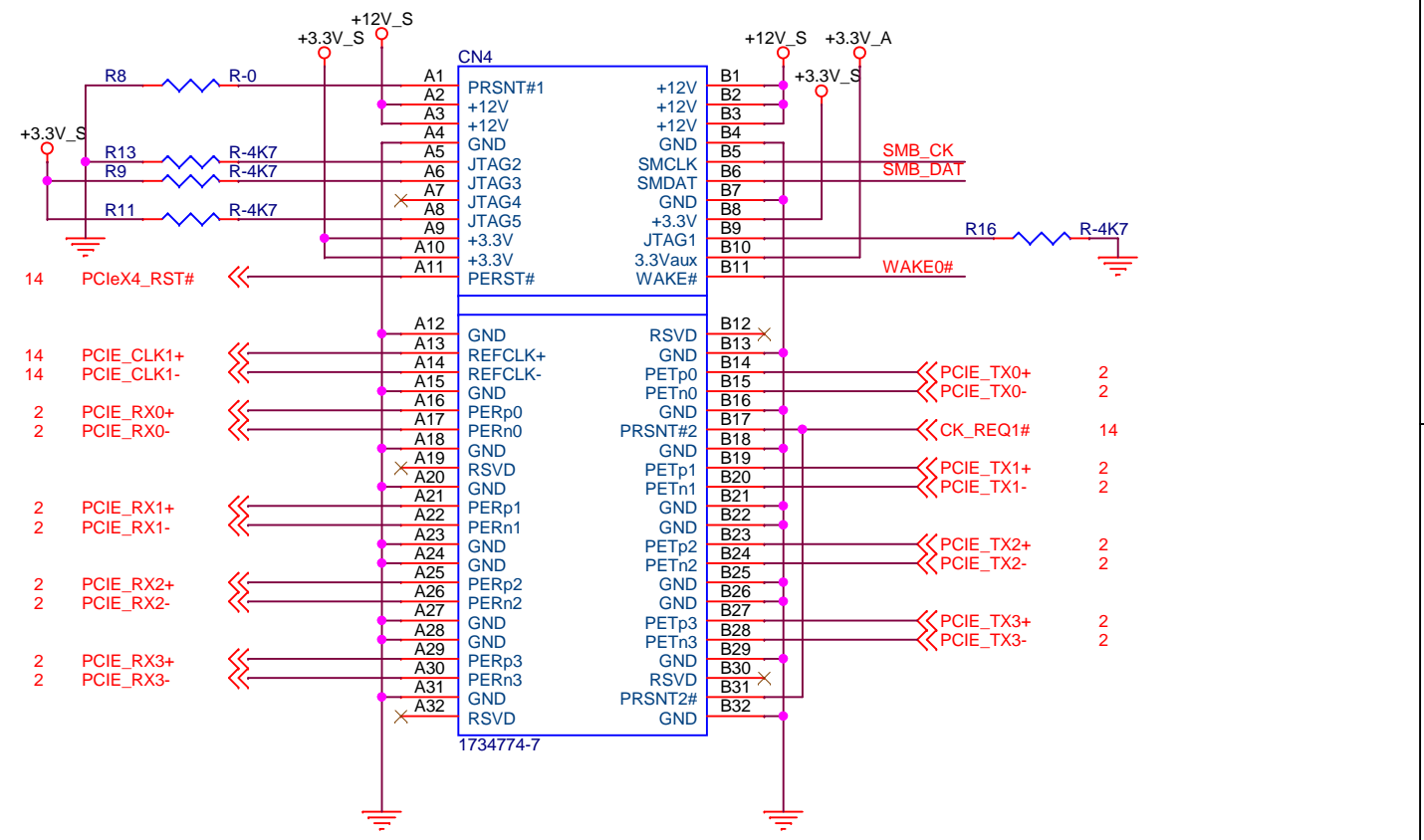
SECO S.r.l. Via Calamandrei 91 52100 Arezzo Italy		
Schematic Title Type 6 COM Express Carrier board		Created
Size A3	Page Name MAIN - BASEBOARD COM-EXPRESS MINI-ITX	Rev 02
Date: Thursday, September 01, 2016		Sheet 1 of 14



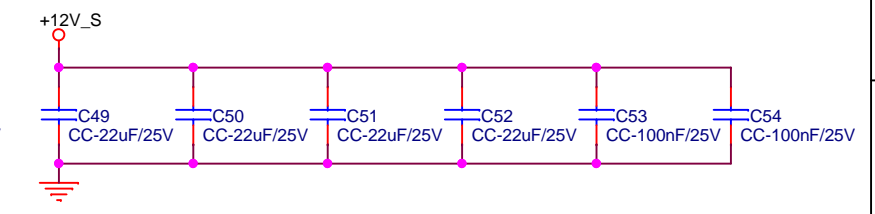
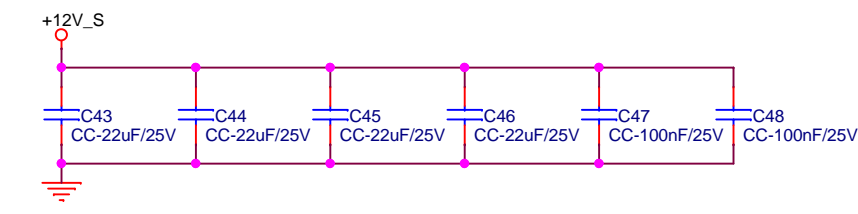
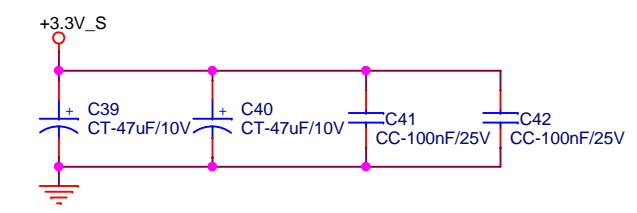
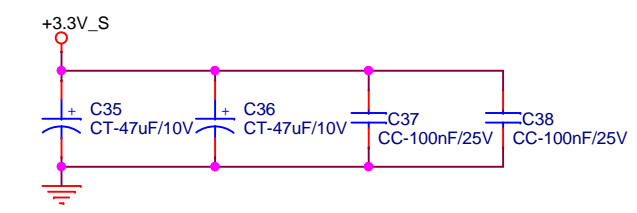
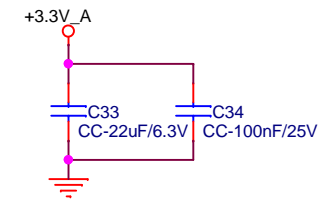
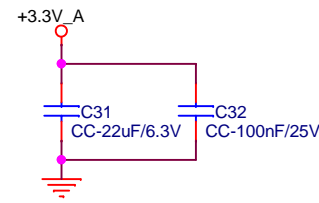




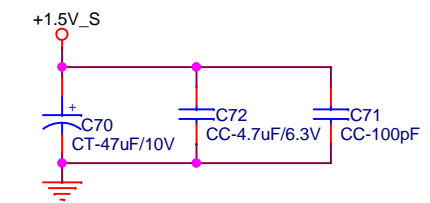
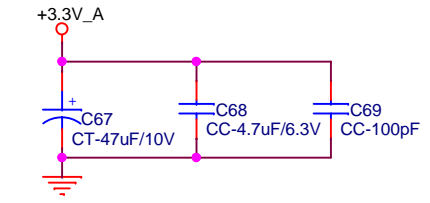
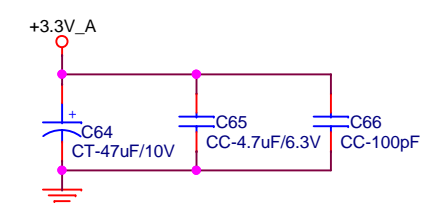
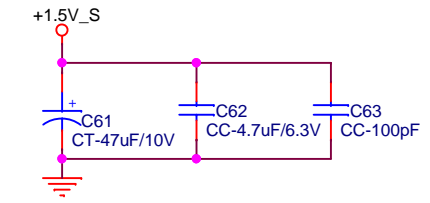
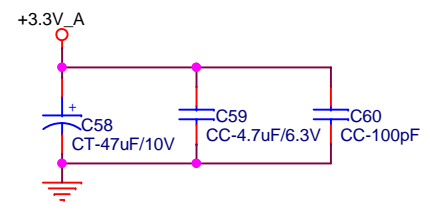
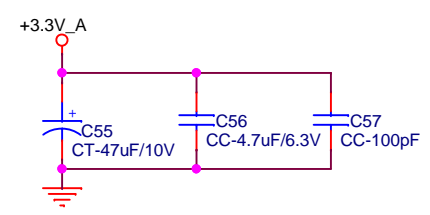
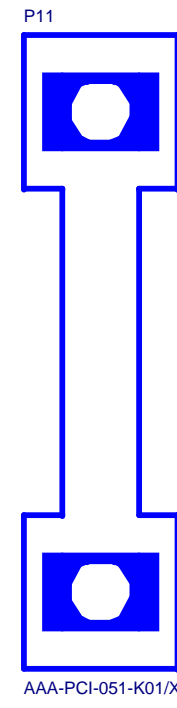
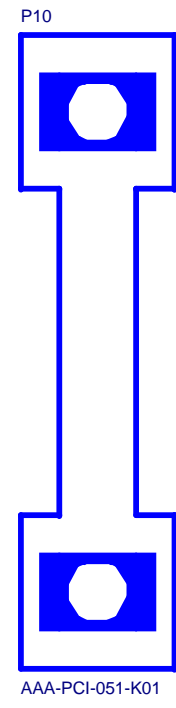
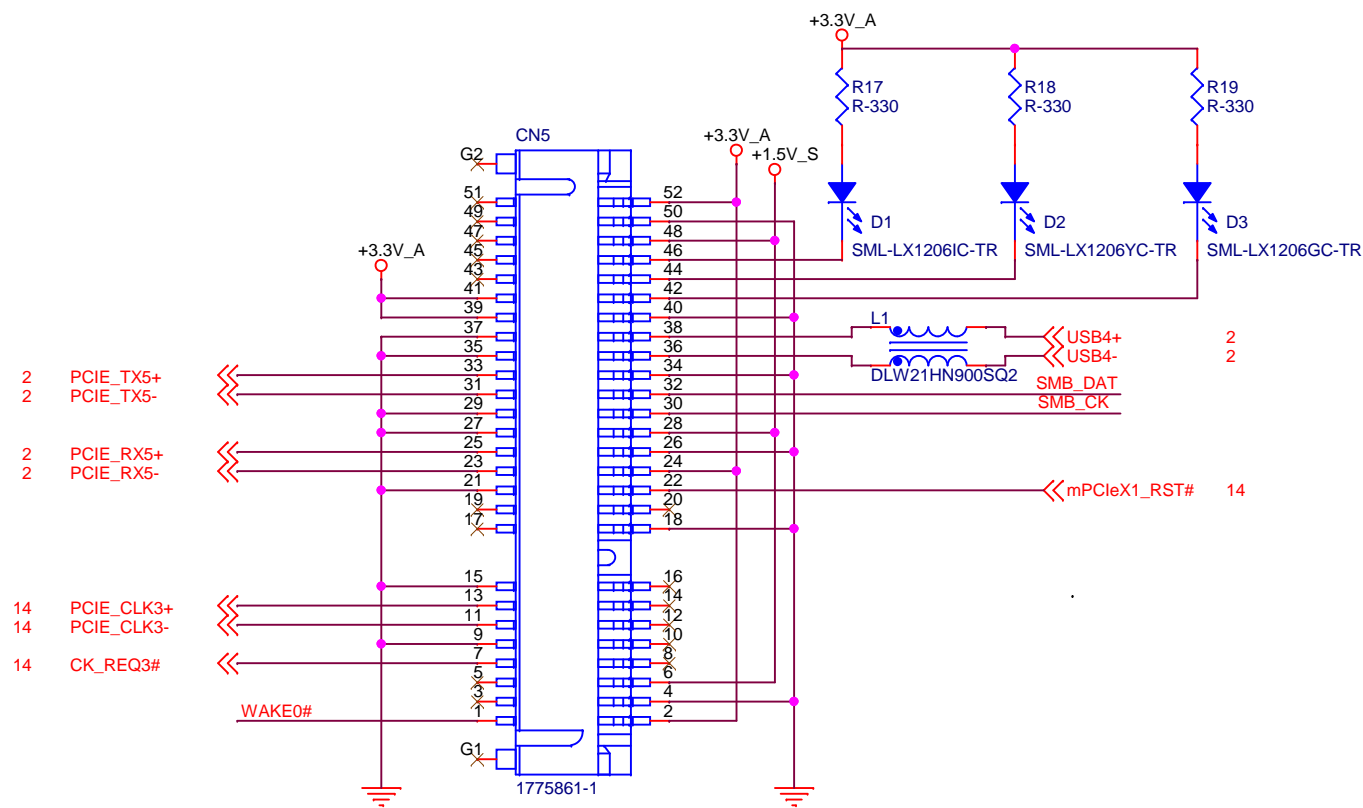
**PCIEx x16**



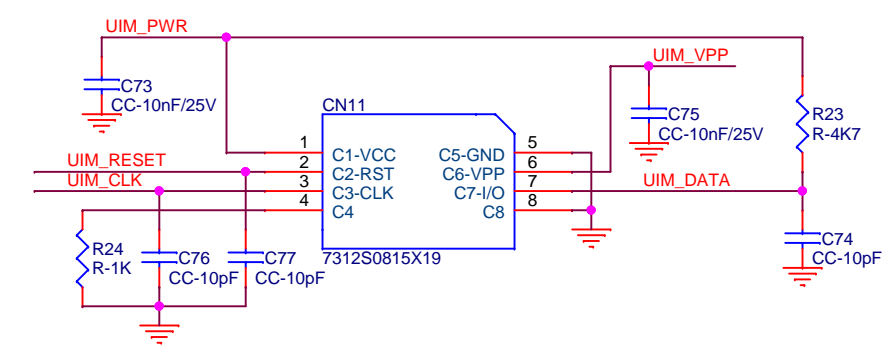
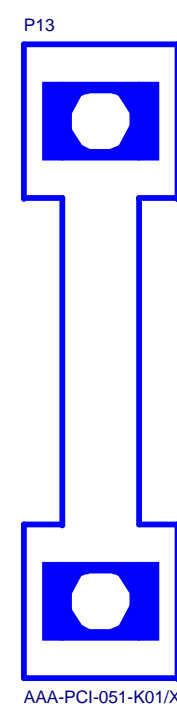
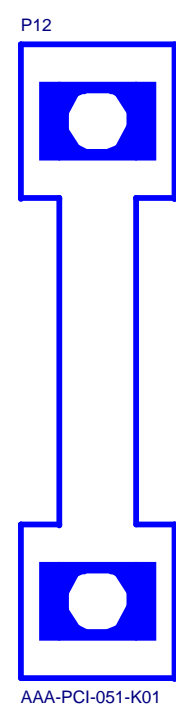
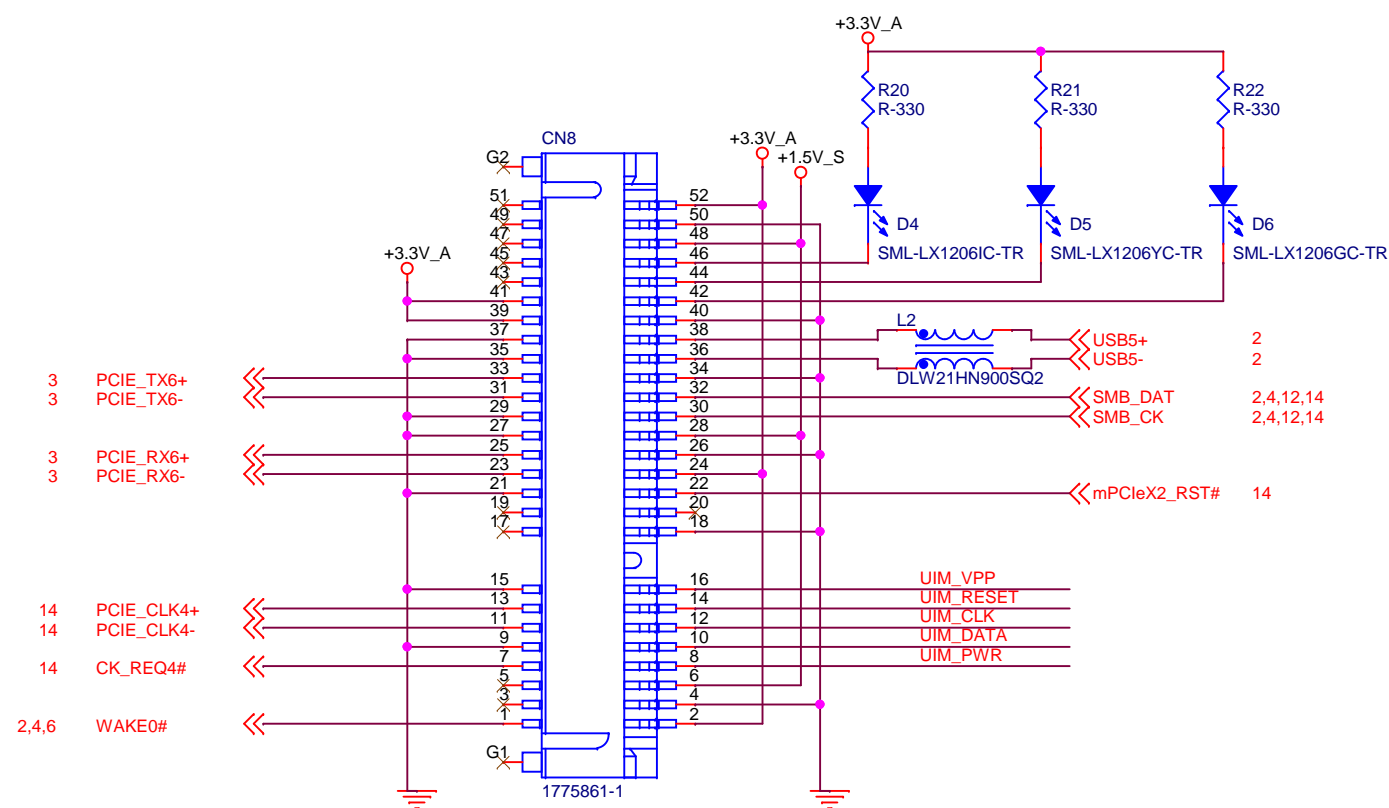
**PCIEx x4**



## USB 4 PCI Express LANE 5



## USB 5 PCI Express LANE 6

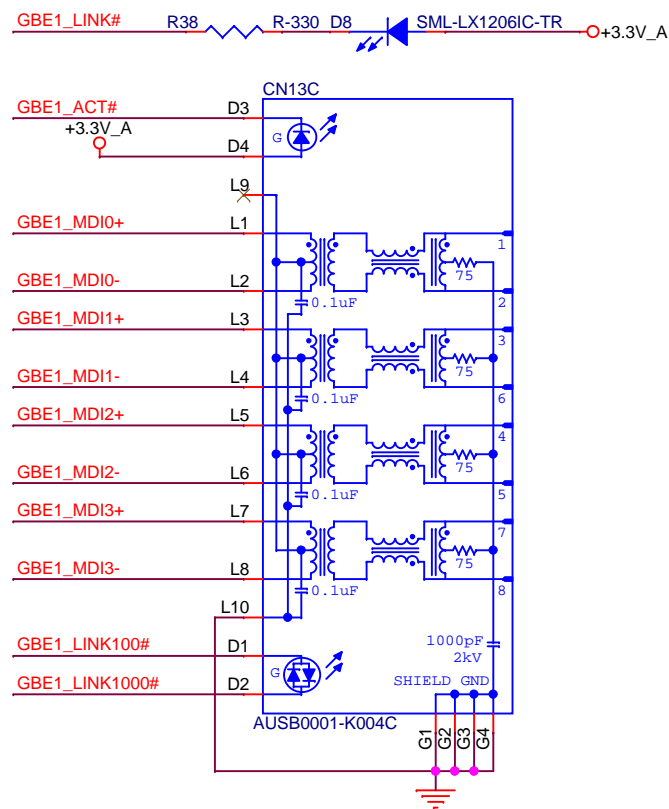
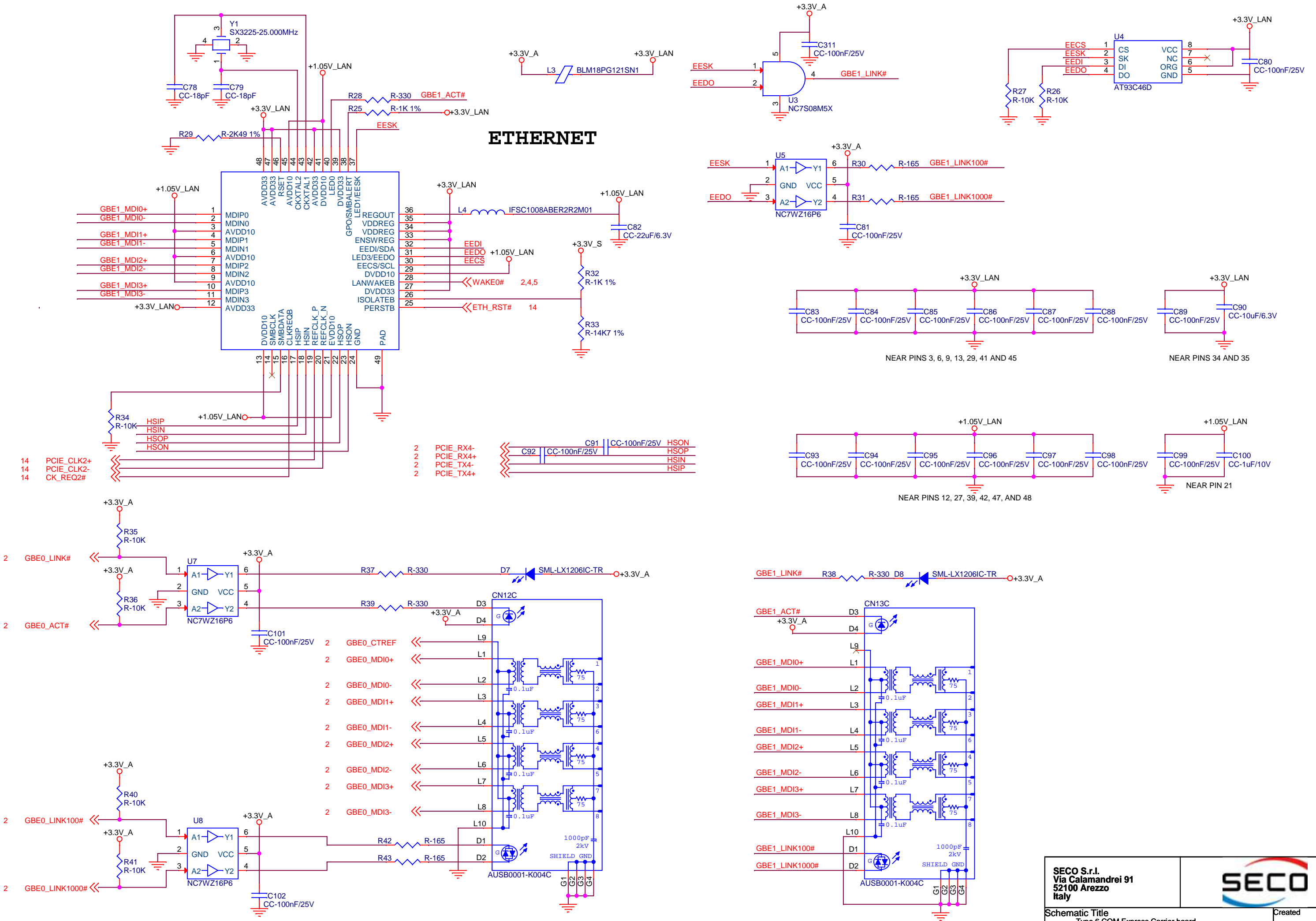


SECO S.r.l.  
Via Calamandrei 91  
52100 Arezzo  
Italy

**SECO**

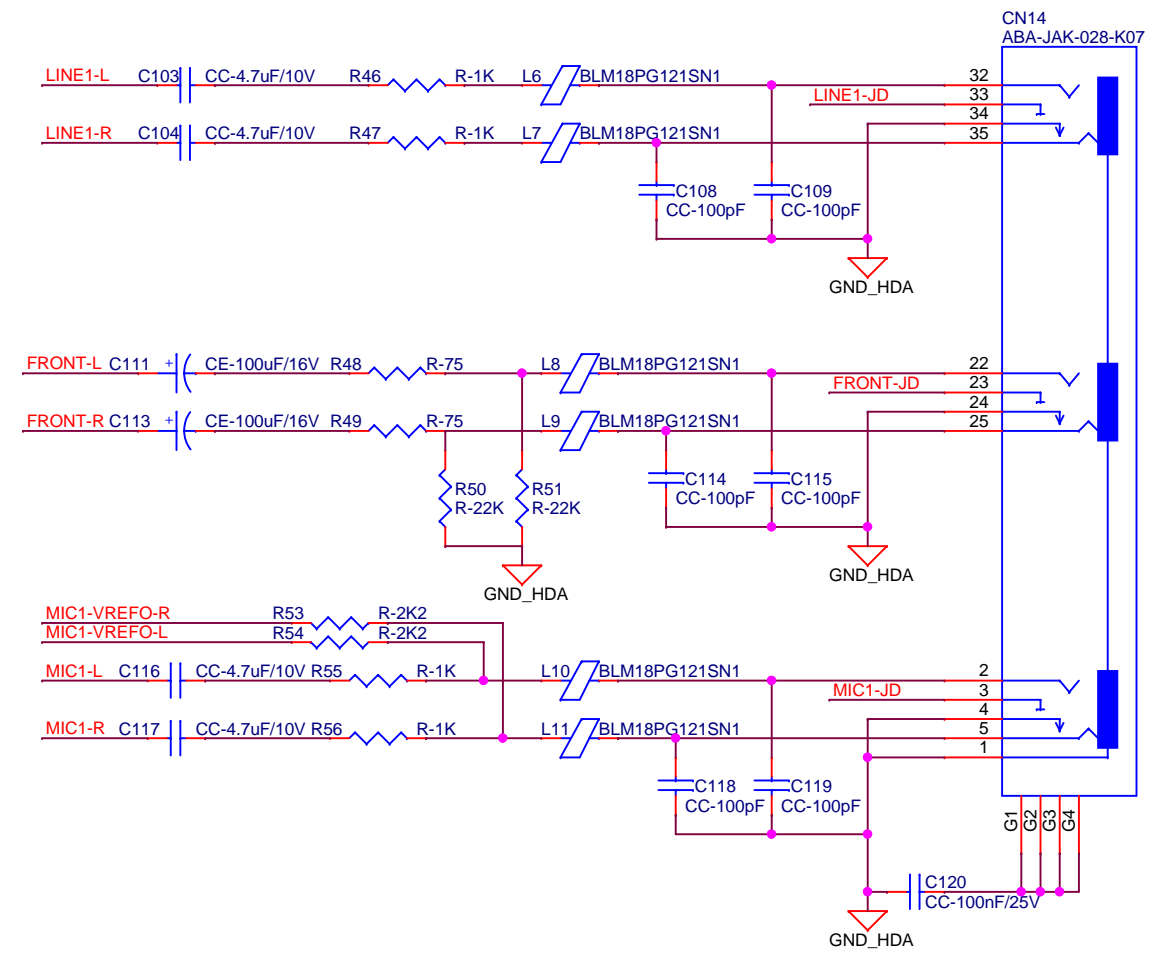
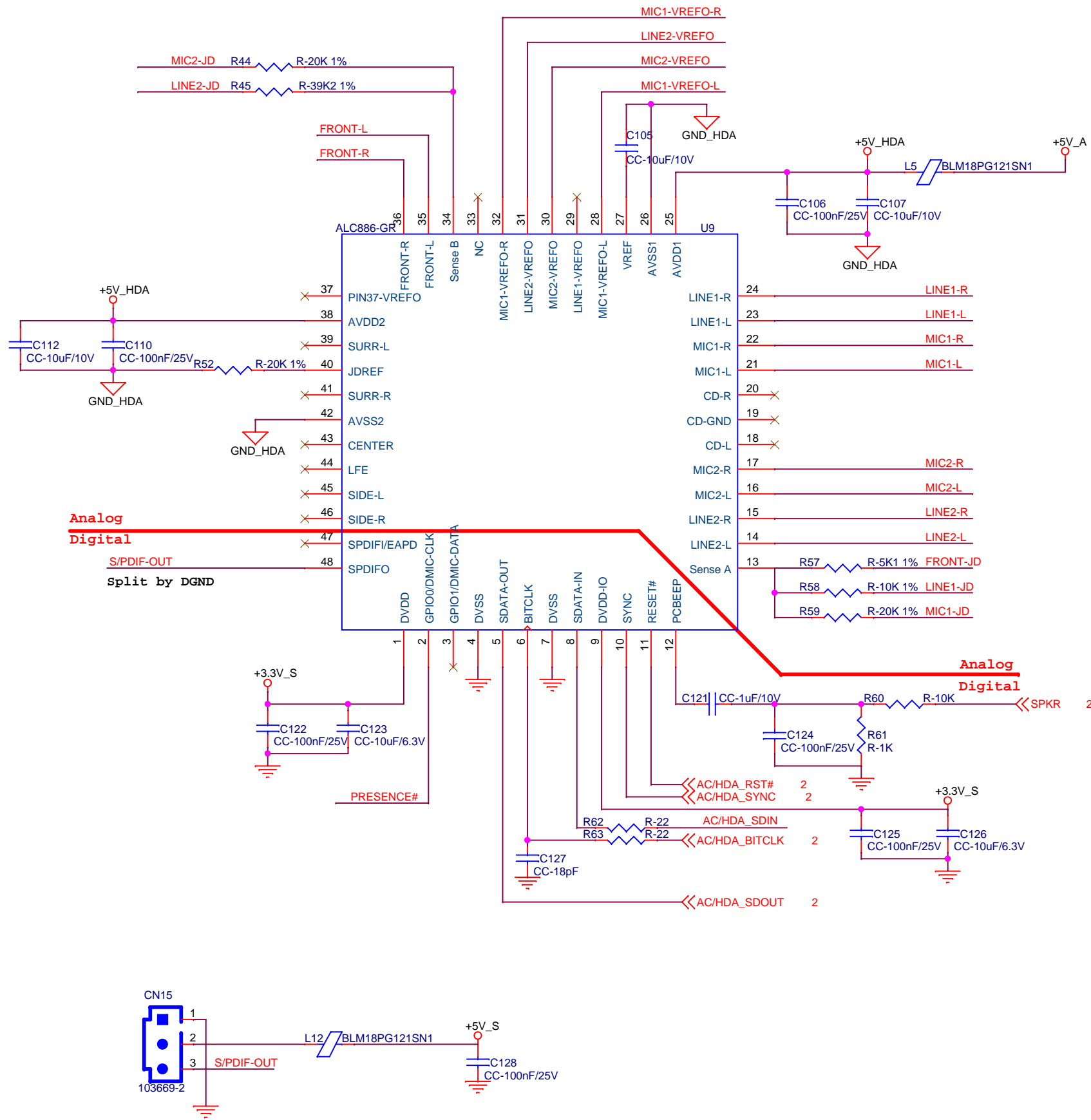
Schematic Title Type 6 COM Express Carrier board		Created
Size A3	Page Name MINI CARD	Rev 02
Date: Thursday, September 01, 2016	Sheet 5	of 14

# ETHERNET

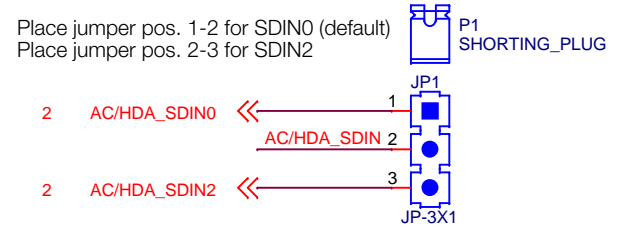
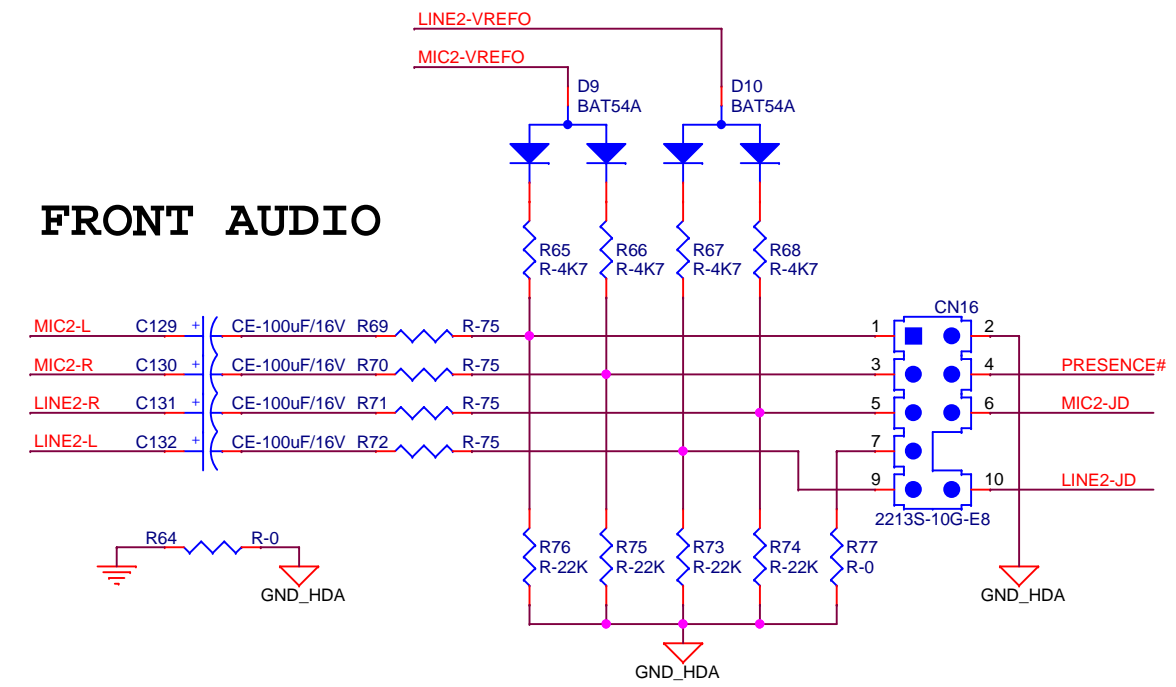


<b>SECO S.r.l.</b> Via Calamandrei 91 52100 Arezzo Italy		
Schematic Title Type 6 COM Express Carrier board		Created
Size A3	Page Name GIGABIT ETH	Rev 02
Date: Thursday, September 01, 2016		Sheet 6 of 14

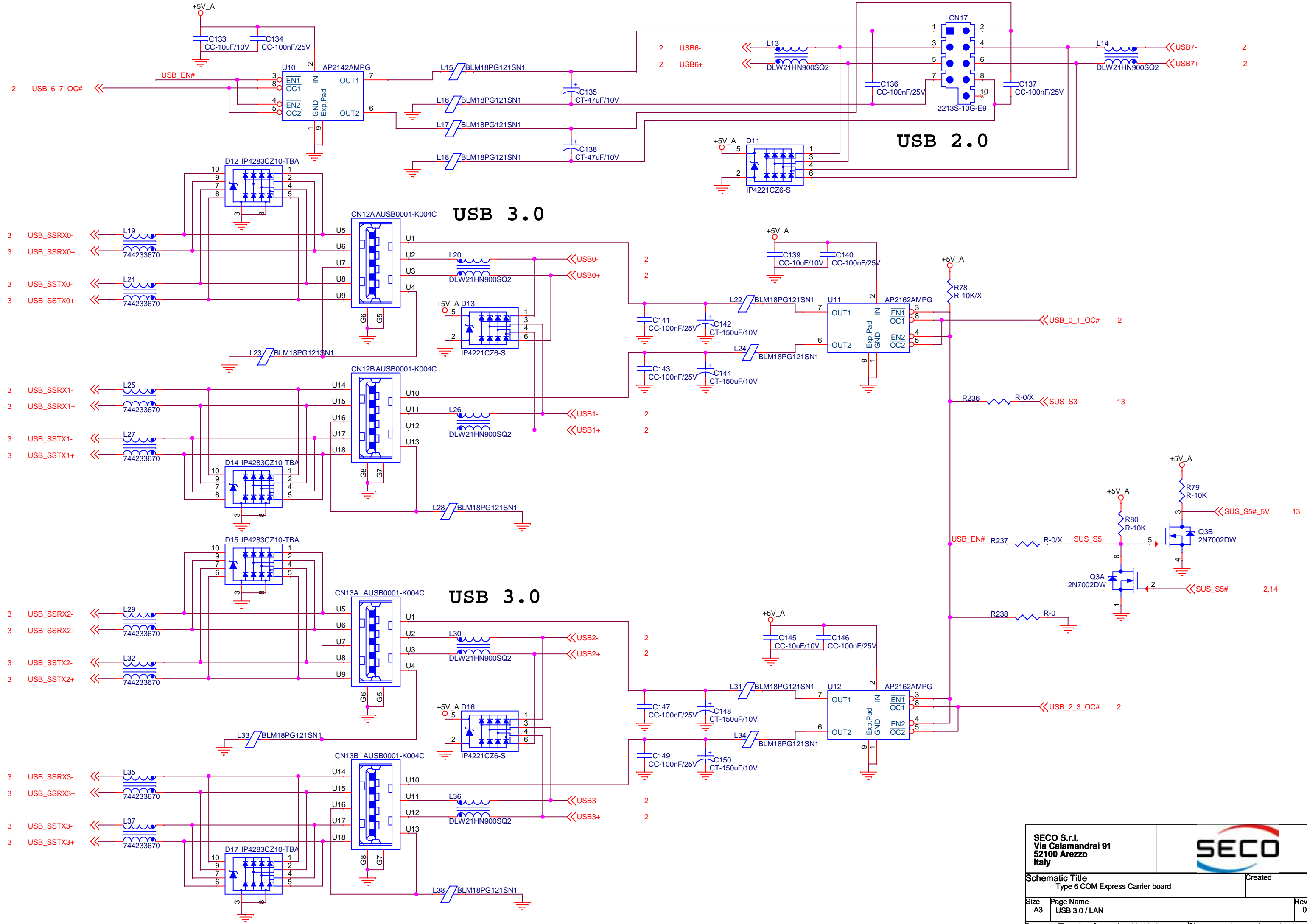
# AUDIO CODEC



## FRONT AUDIO

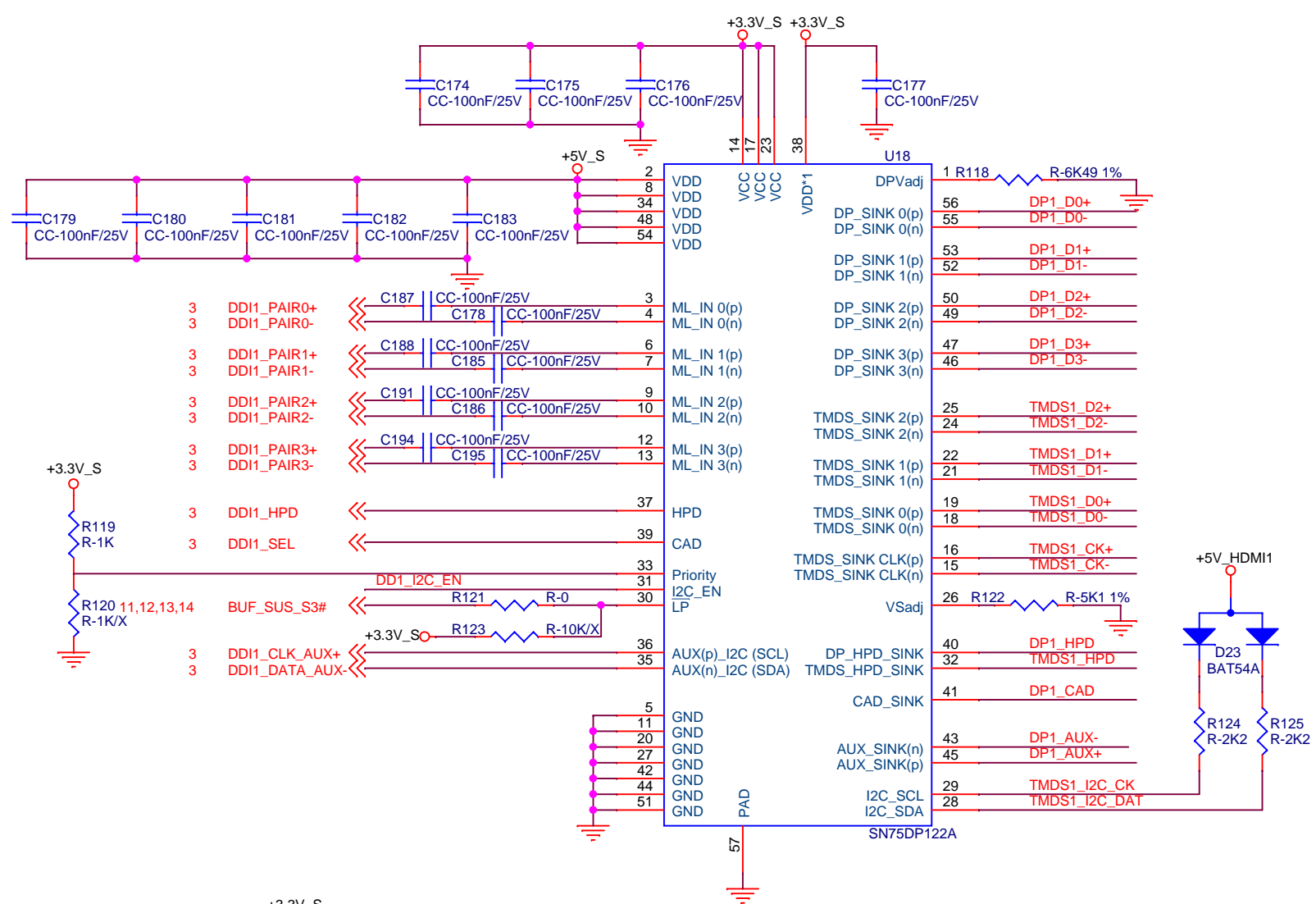
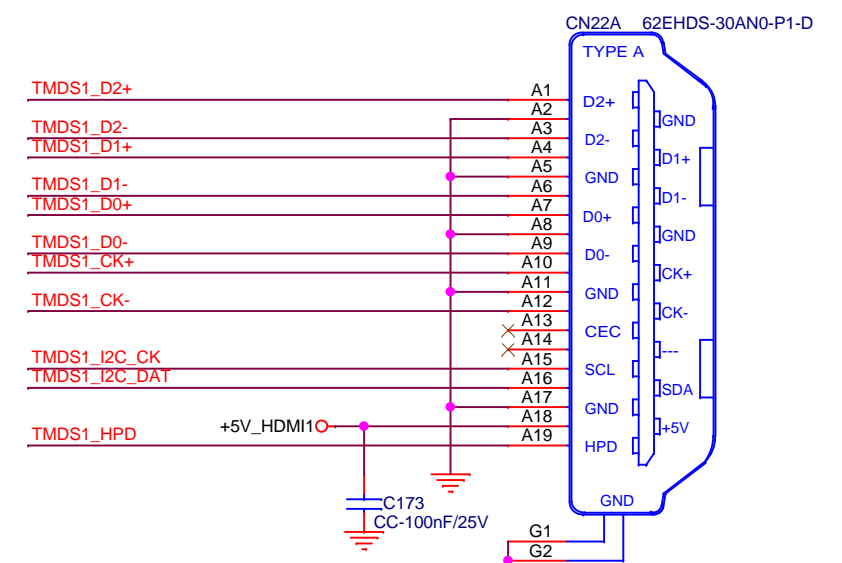
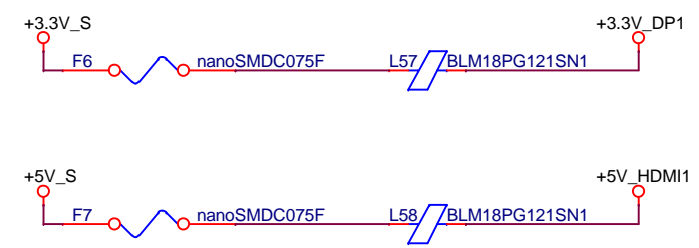
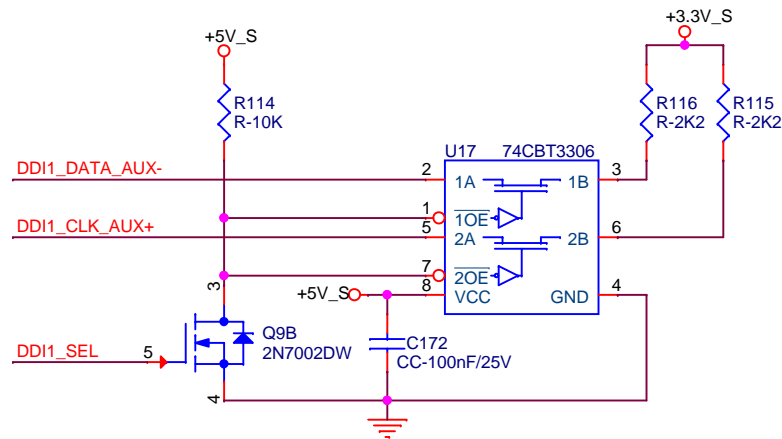


<b>SECO S.r.l.</b> Via Calamandrei 91 52100 Arezzo Italy			
Schematic Title Type 6 COM Express Carrier board			Created
Size A3	Page Name HD AUDIO	Date: Thursday, September 01, 2016	Sheet 7 of 14
			Rev 02

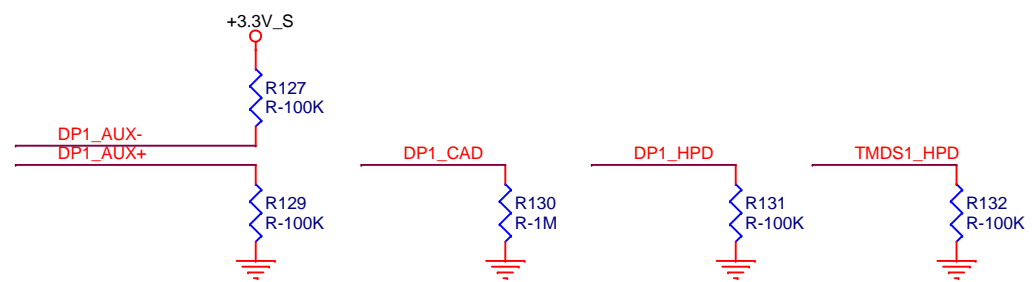
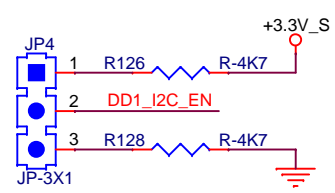
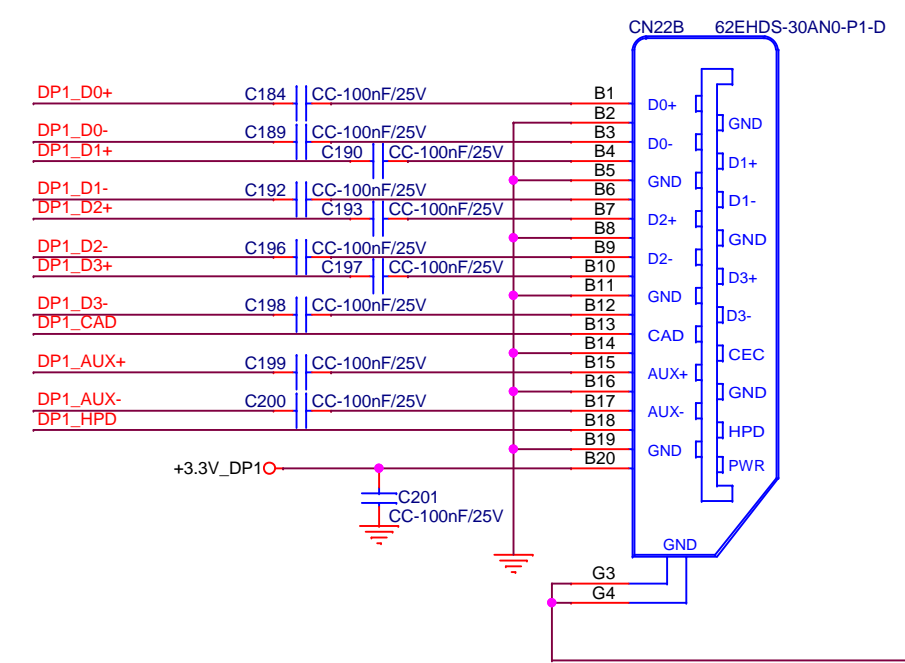






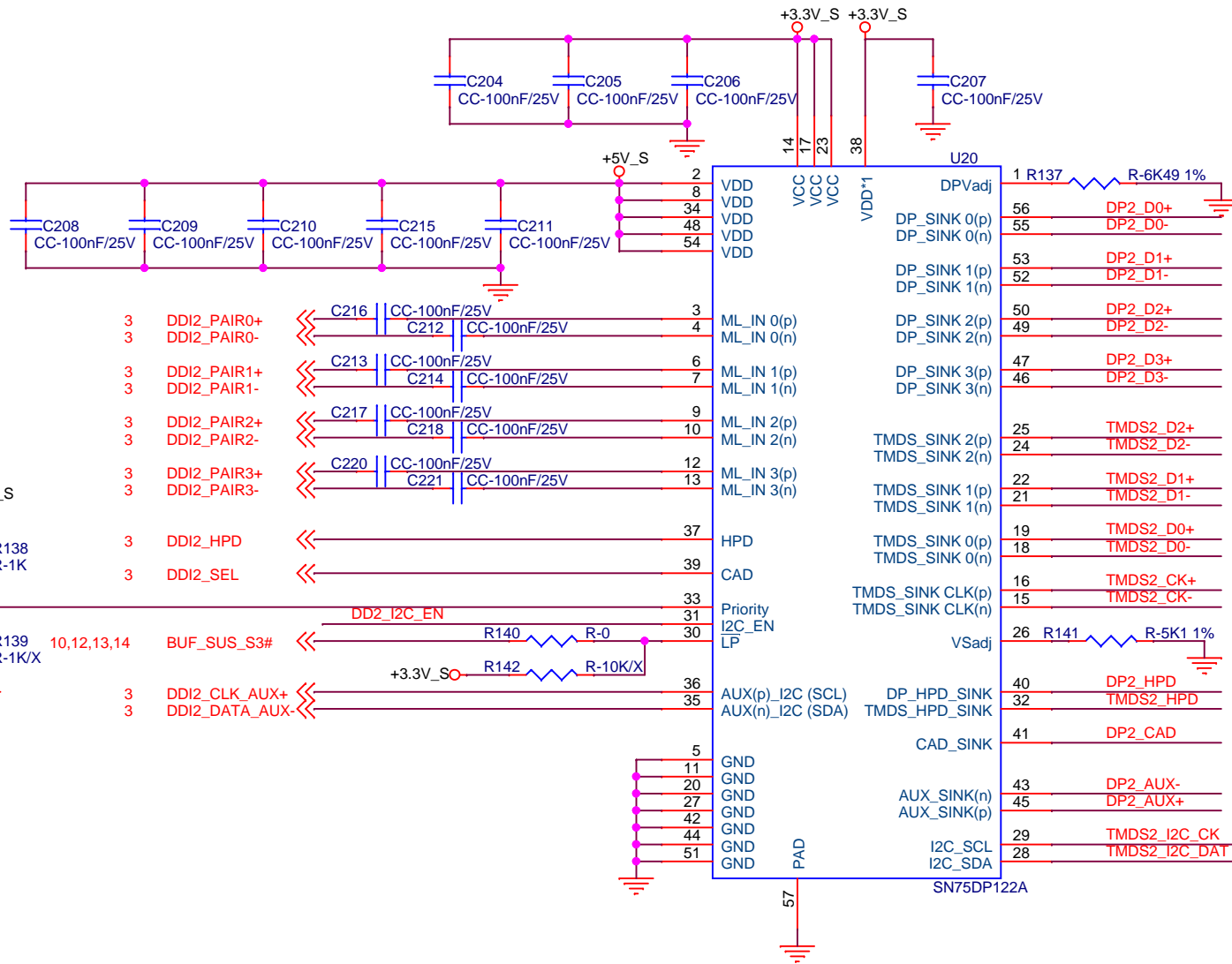
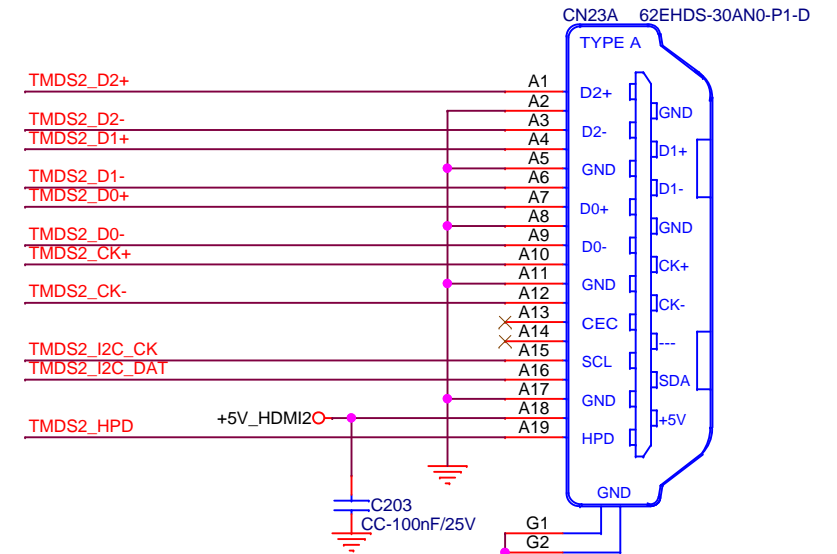
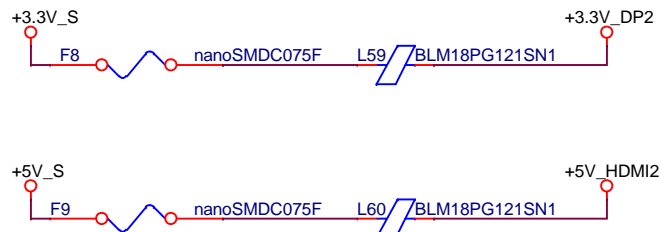
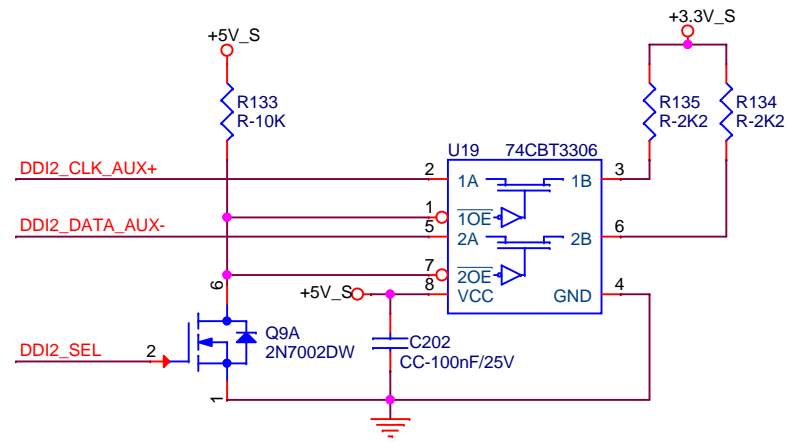


### HDMI / DP

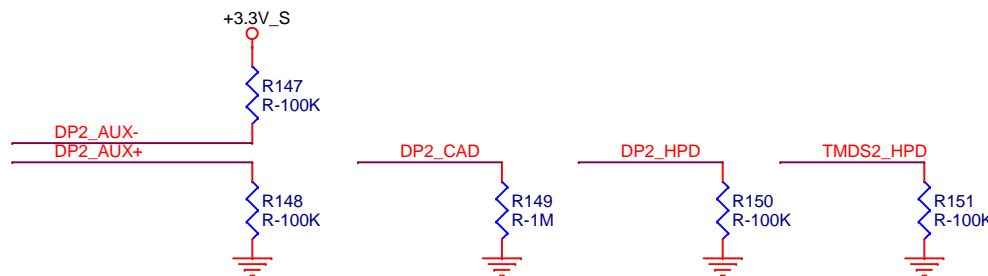
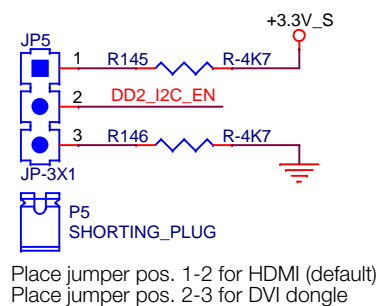
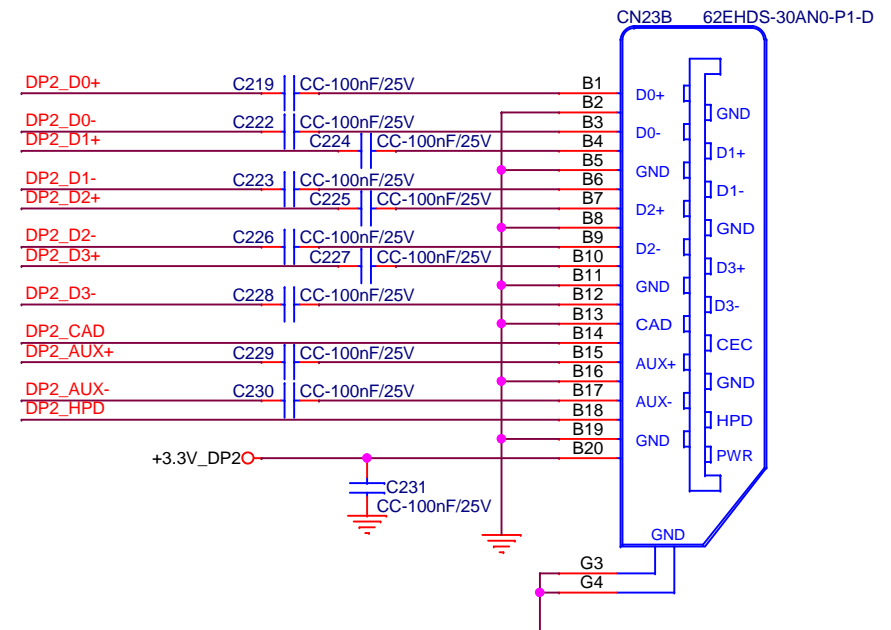


Place jumper pos. 1-2 for HDMI (default)  
Place jumper pos. 2-3 for DVI dongle

<b>SECO S.r.l.</b> Via Calamandrei 91 52100 Arezzo Italy		
Schematic Title Type 6 COM Express Carrier board		Created
Size A3	Page Name HDMI DP 1	Rev 02
Date: Thursday, September 01, 2016		Sheet 10 of 14



### HDMI / DP

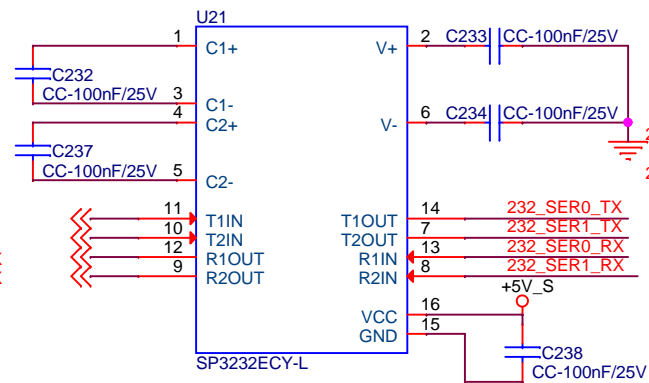


<b>SECO S.r.l.</b> Via Calamandrei 91 52100 Arezzo Italy			
Schematic Title Type 6 COM Express Carrier board			Created
Size A3	Page Name HDMI DP 2	Rev 02	
Date: Thursday, September 01, 2016		Sheet 11	of 14

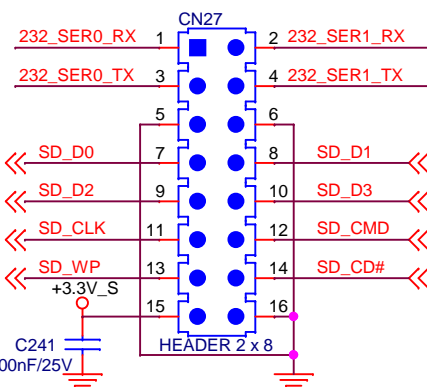
# FEATURE

# SATA 0

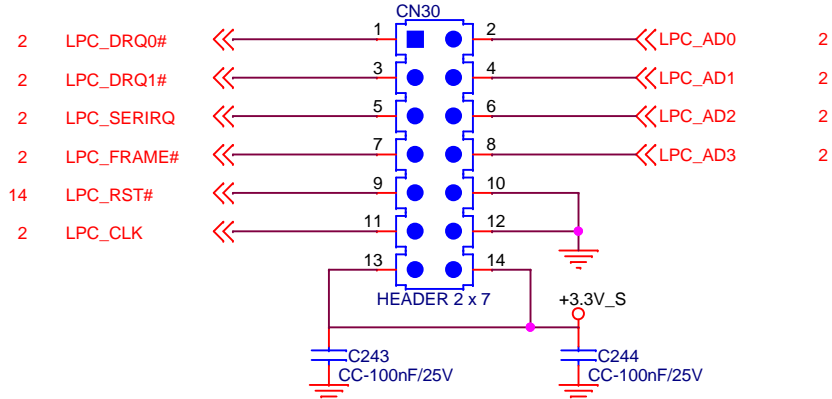
# SATA 1



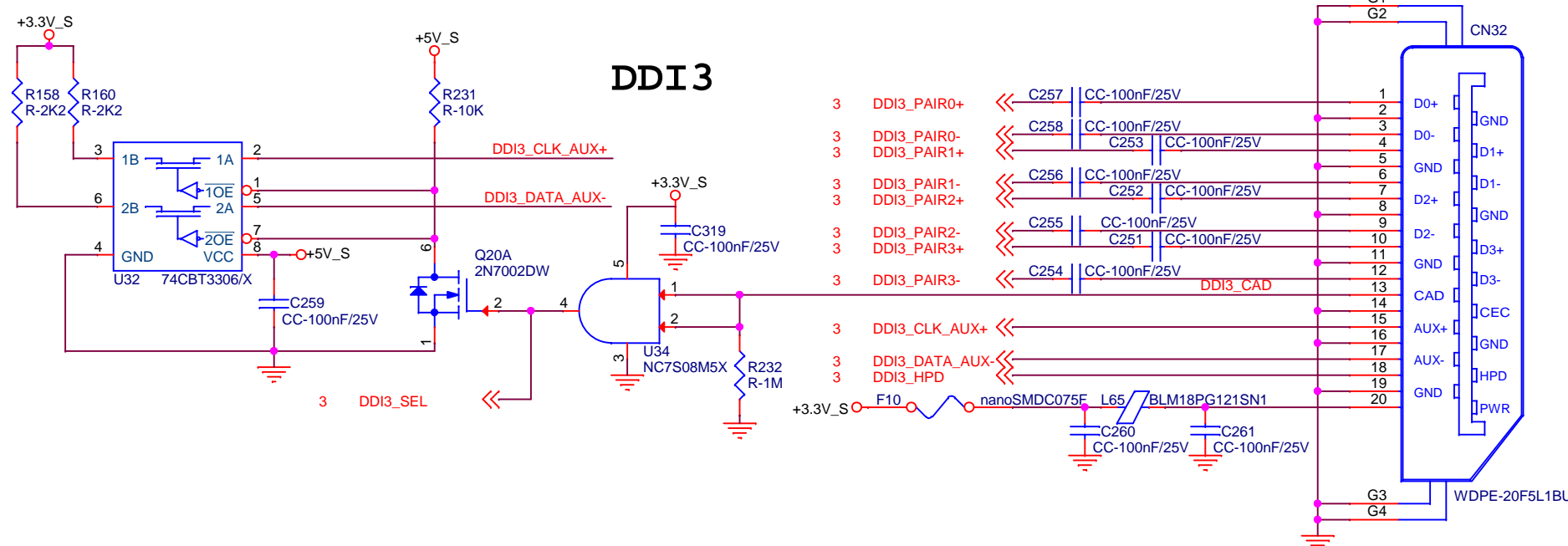
## GPIO/SD UART



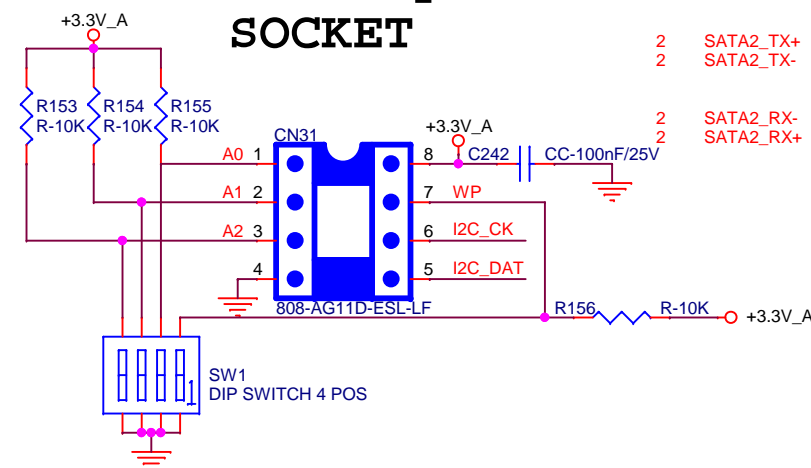
## LPC Test connector



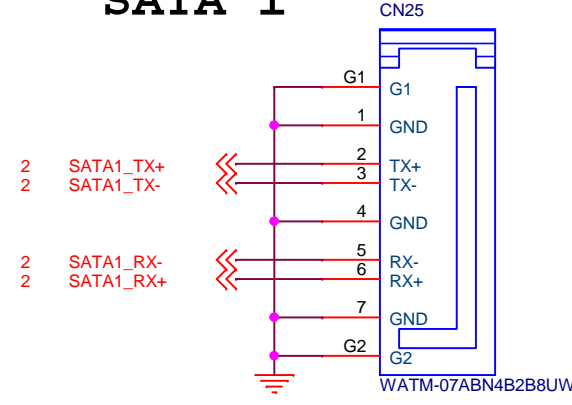
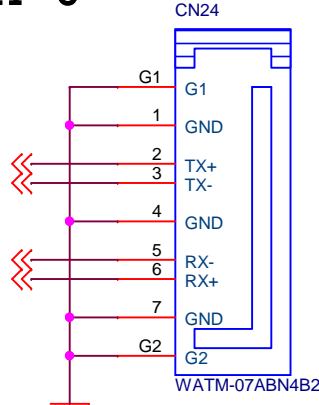
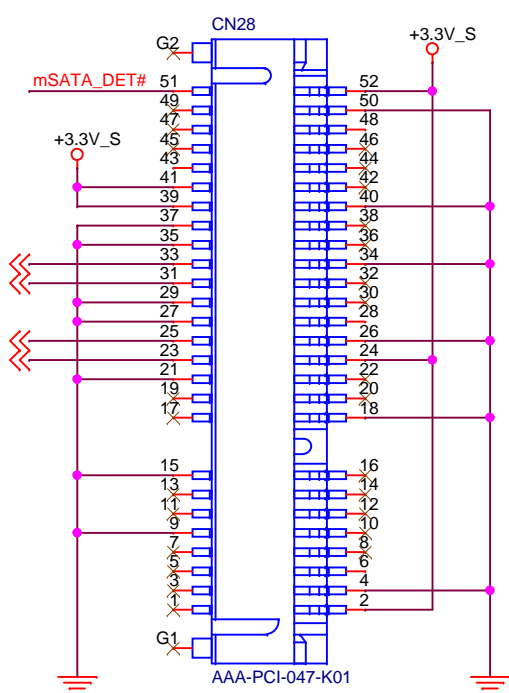
## DDI 3



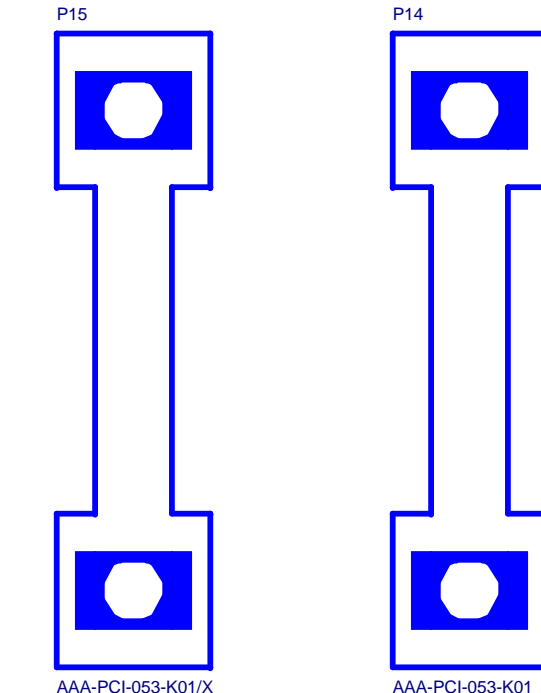
## I2C Eeprom SOCKET



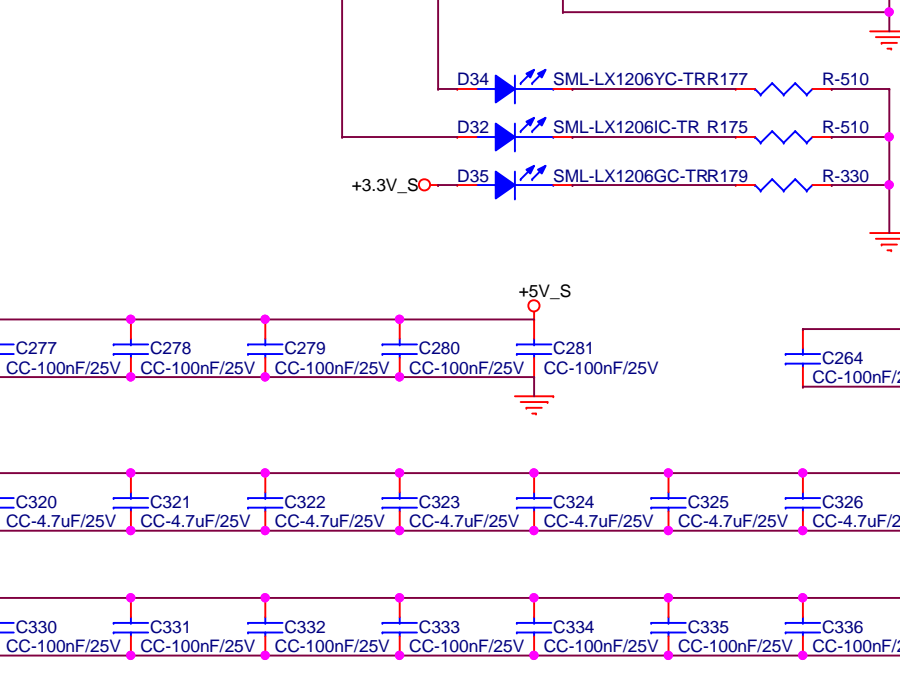
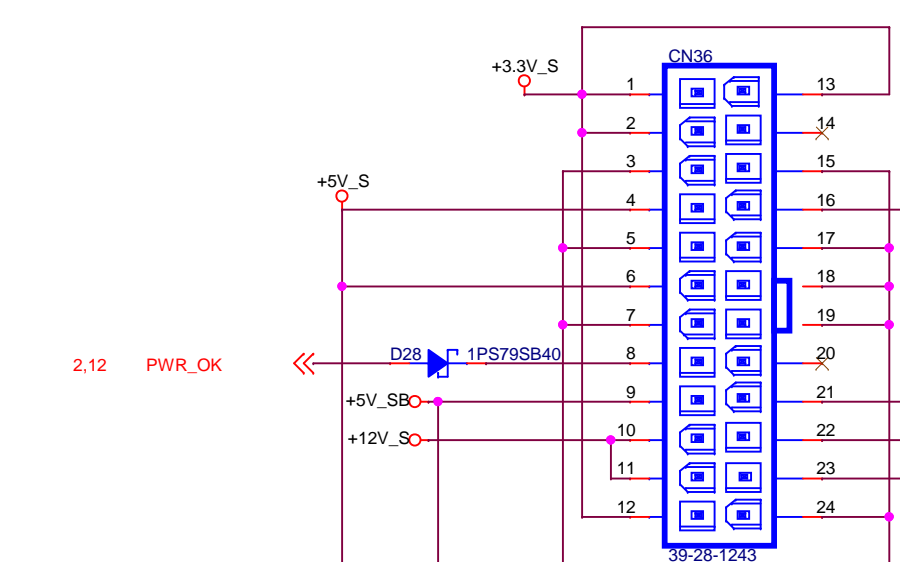
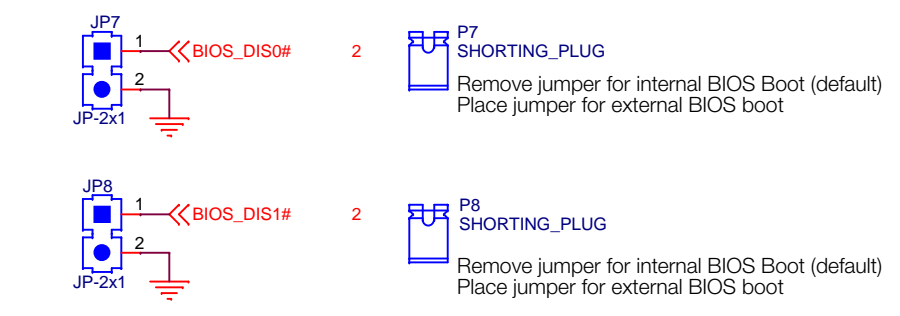
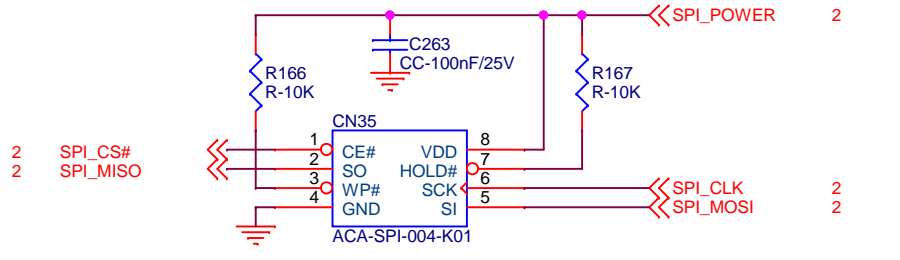
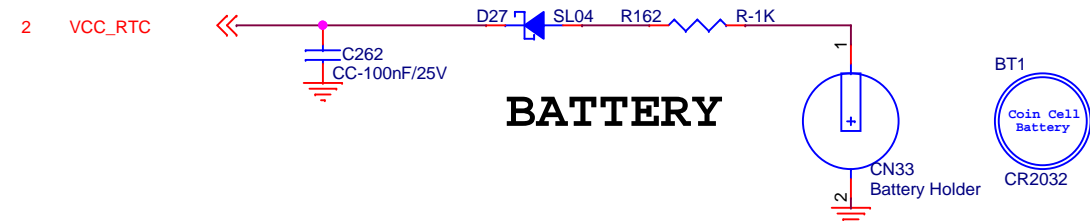
## SATA 2



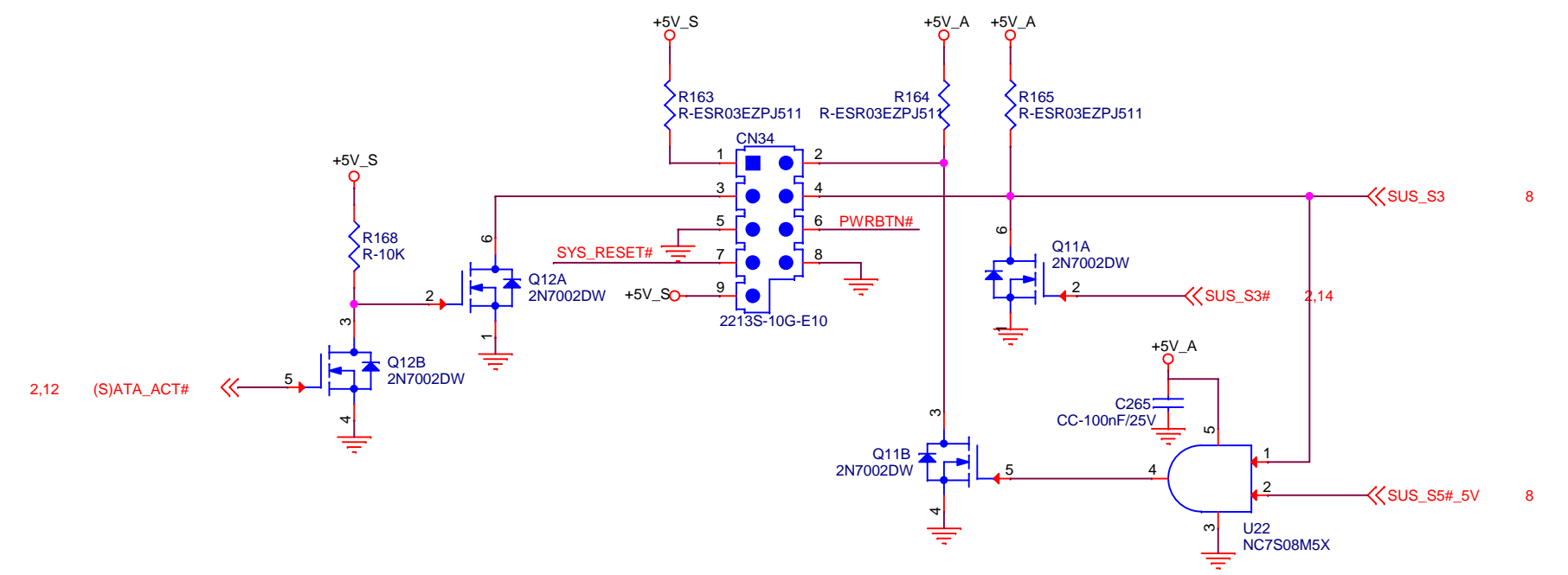
## SATA 2



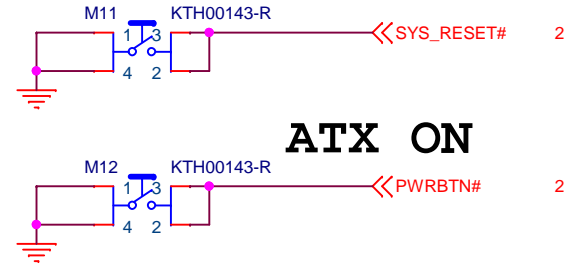
<b>SECO S.r.l.</b> Via Calamandrei 91 52100 Arezzo Italy		
Schematic Title Type 6 COM Express Carrier board		Created
Size A3	Page Name SATA / FEATURE	Rev 02
Date: Thursday, September 01, 2016		Sheet 12 of 14



### FRONT HEADER



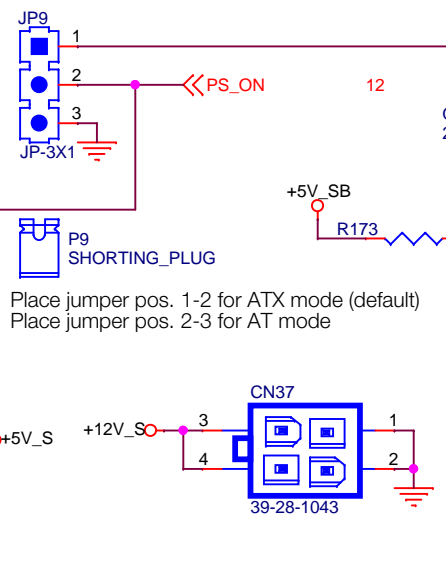
### RESET



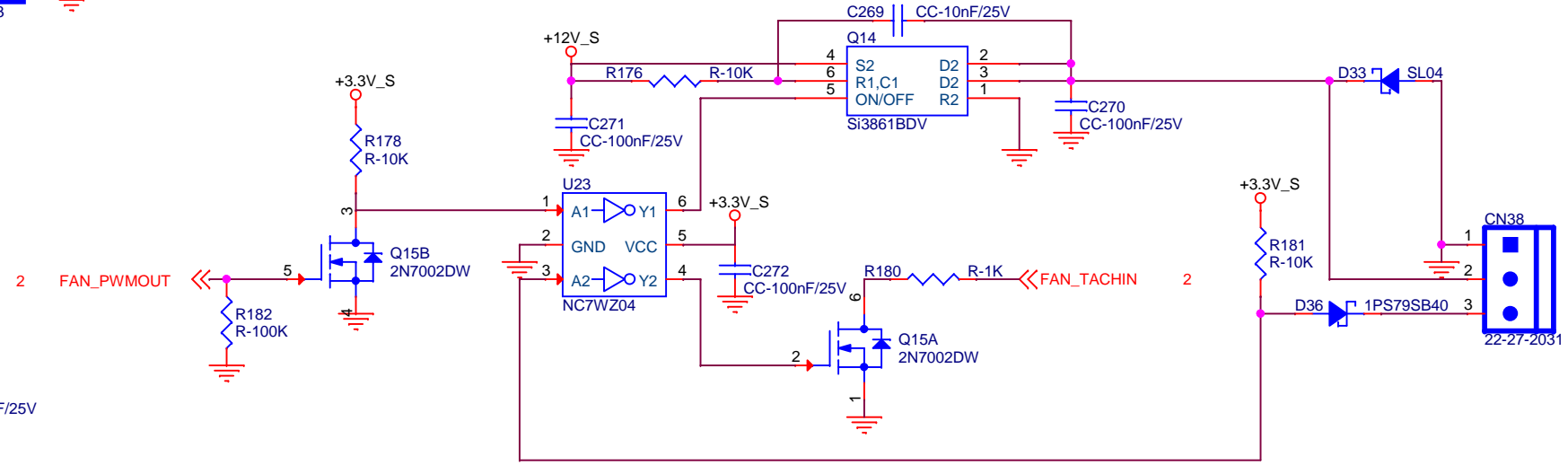
### ATX ON



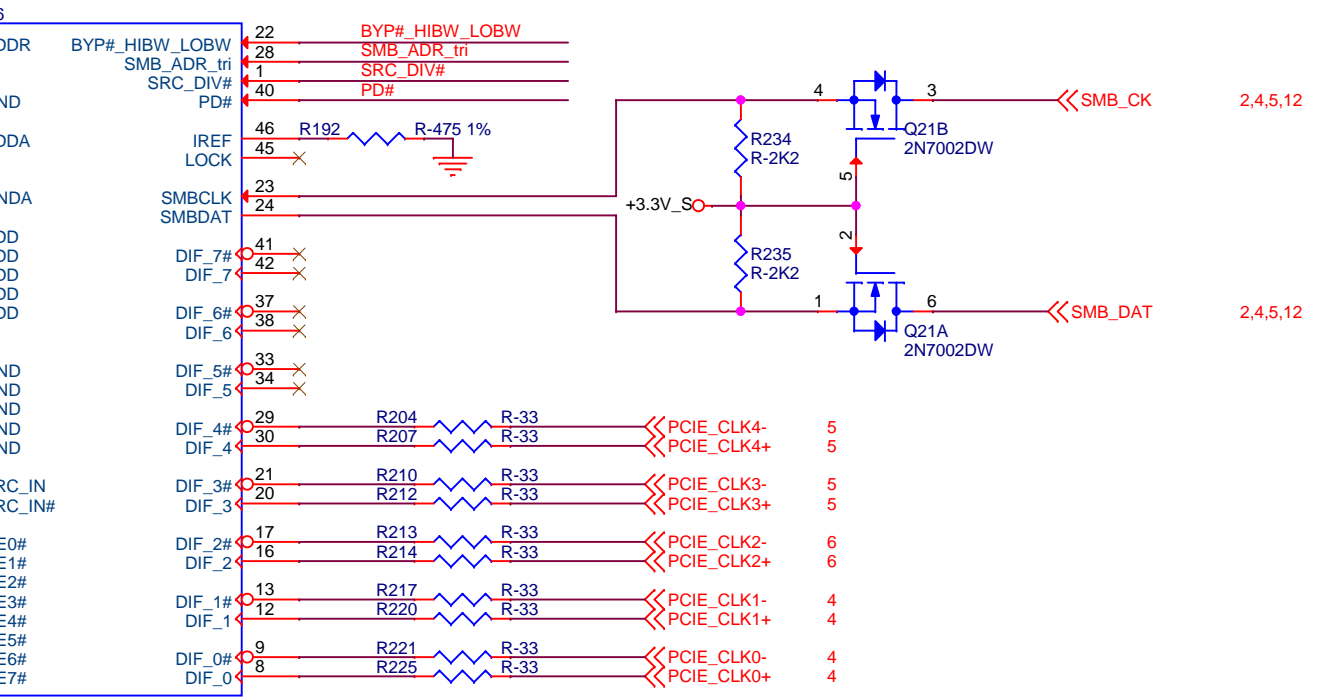
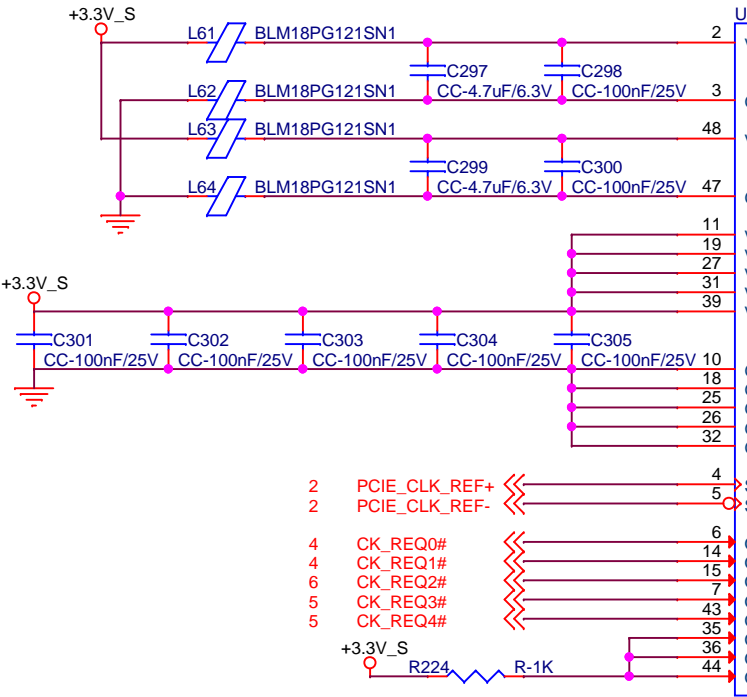
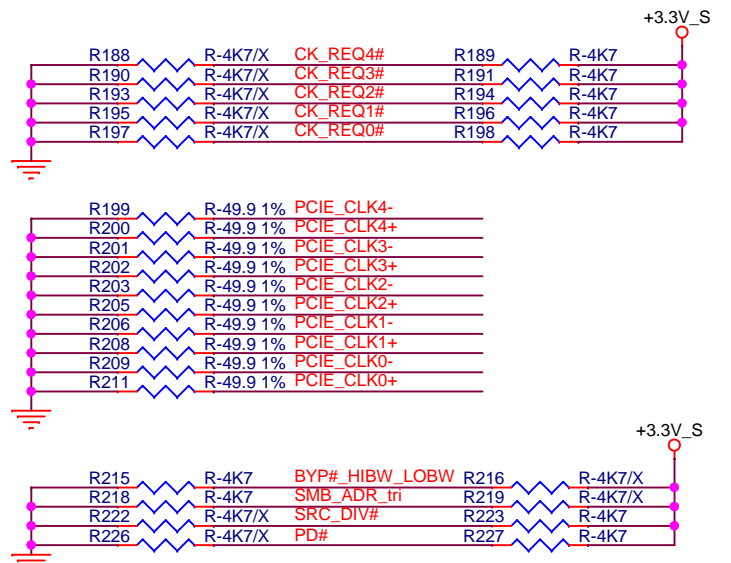
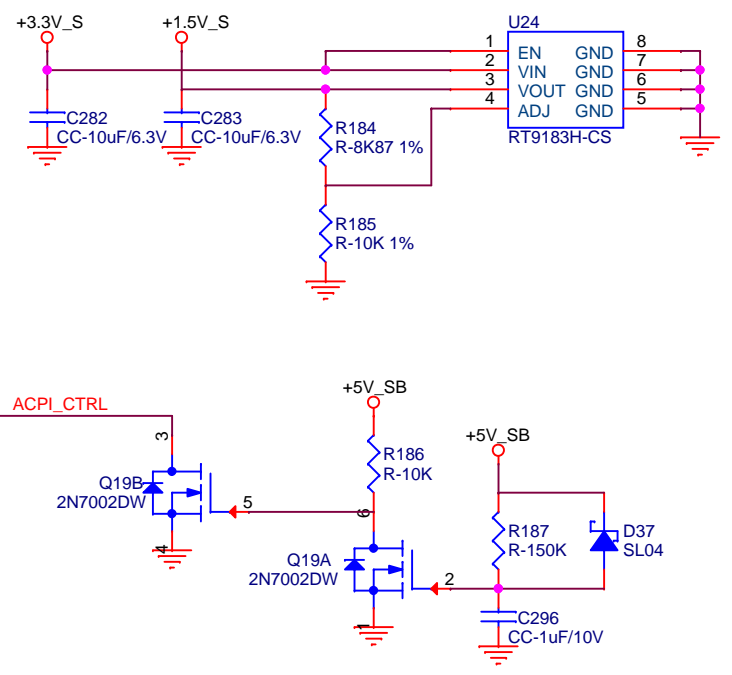
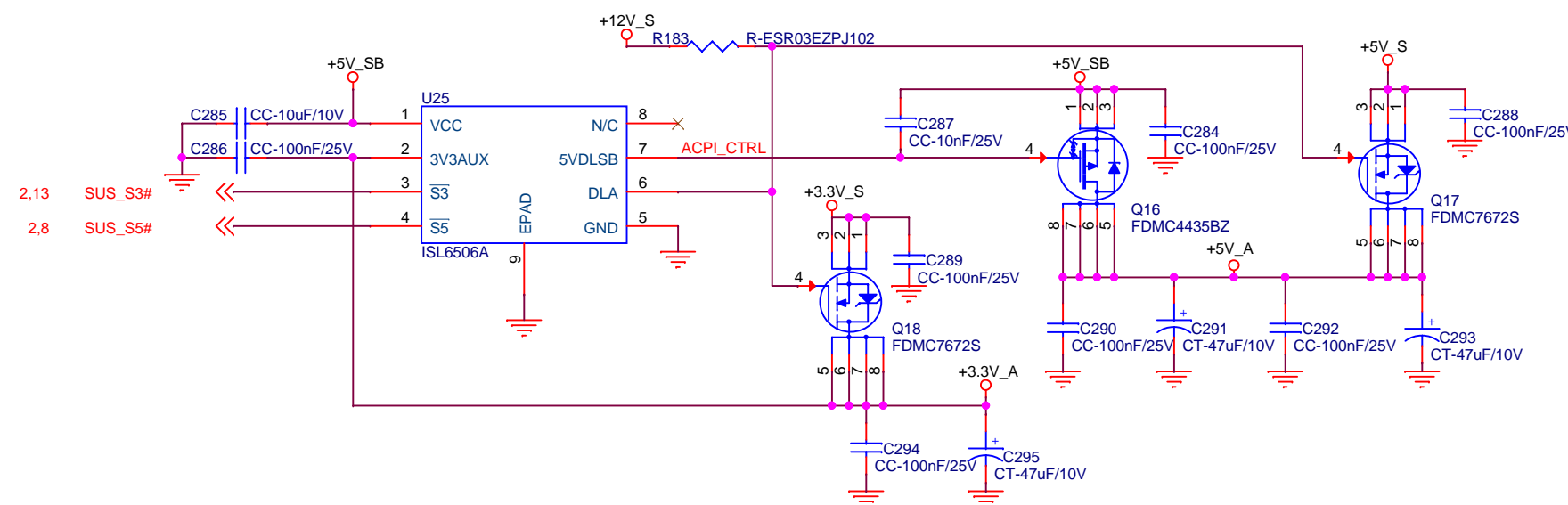
### POWER ATX



### FAN control



<b>SECO S.r.l.</b> Via Calamandrei 91 52100 Arezzo Italy		
Schematic Title Type 6 COM Express Carrier board		Created
Size A3	Page Name PWR / BATT / FAN	Rev 02
Date: Thursday, September 01, 2016		Sheet 13 of 14



Place these resistors near to the 9DB833A

