

3.5" QSeven 2.0 CARRIER BOARD

DISCLAIMER

SECO SRL provides these schematics only in accordance to support the receiver company for its internal activities .
 The schematics are provided "AS IS". SECO make no representations about the suitability of these materials for any purpose and disclaim all warranties and conditions with regard to these materials, including but not limited to, all implied warranties and conditions of merchantability, fitness for a particular purpose, title and non-infringement of any third party intellectual property right.
 You acknowledge and agree that these schematics are provided as an example only and that you will exercise your own independent analysis and judgment in your use of these materials.
 SECO assumes no liability for your use of these materials or your product design.
 The schematic and the information provided are subjected to obligations of secrecy, thus the receiver has the obligation to not disclose to third parties and to only utilize such information for internal use.

Contents

Page 1	MAIN
Page 2	Block Diagram
Page 3	Qseven Connector
Page 4	ETHERNET connections
Page 5	SD SATA mSATA miniPCI-E
Page 6	USB
Page 7	LVDS & eDP
Page 8	HDMI & DISPLAY PORT
Page 9	Power
Page 10	Glue Logic, Front header, Battery, Clock Buffer
Page 11	UART, SPI, LPC, CAN, HD Audio Interfaces
Page 12	SuperI/O and GPIO

CONFIGURATIONS :

FIRST VIDEO OUTPUT

A0 --> DISPLAYPORT
 A1 --> HDMI

SECOND NETWORK CONNECTION

B0 --> SECOND NETWORK AVAILABLE
 B1 --> SECOND NETWORK NOT AVAILABLE

SECOND VIDEO OUTPUT

C0 --> LVDS
 C1 --> EDP

DEBUG PORTS

D0 --> DEBUG PORTS AVAILABLE
 D1 --> DEBUG PORTS NOT AVAILABLE

ABSOLUTE MAXIMUM RATINGS

Voltage applied at Vin to GND.....-0.3 V to 13 V

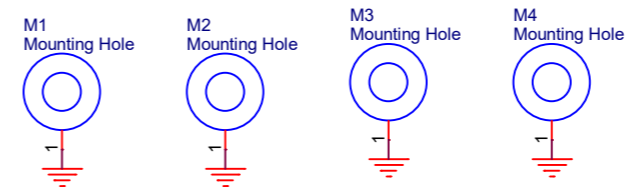
RECOMMENDED OPERATING CONDITIONS

Supply voltage.....12V ± 5%

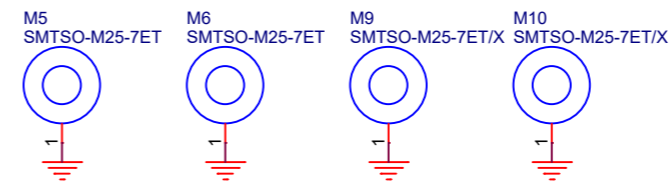
Reference Table

Capacitors CC (Ceramic), CE (Electrolytic):
 After the value, it is shown the Minimum Rated Voltage (MRV).
 If this it is not shown, then it is implicit that MRV is 6.3V.

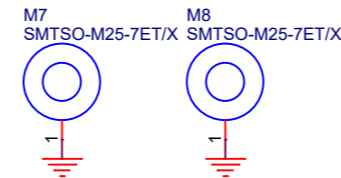
Components with /X indications are foreseen in the PCB but must not be mounted
 Components with CFG indications have to be mounted only on specific board's configurations (see table in this same page)



CARRIER BOARD MOUNTING HOLES



QSEVEN SURFACE MOUNT FASTENERS

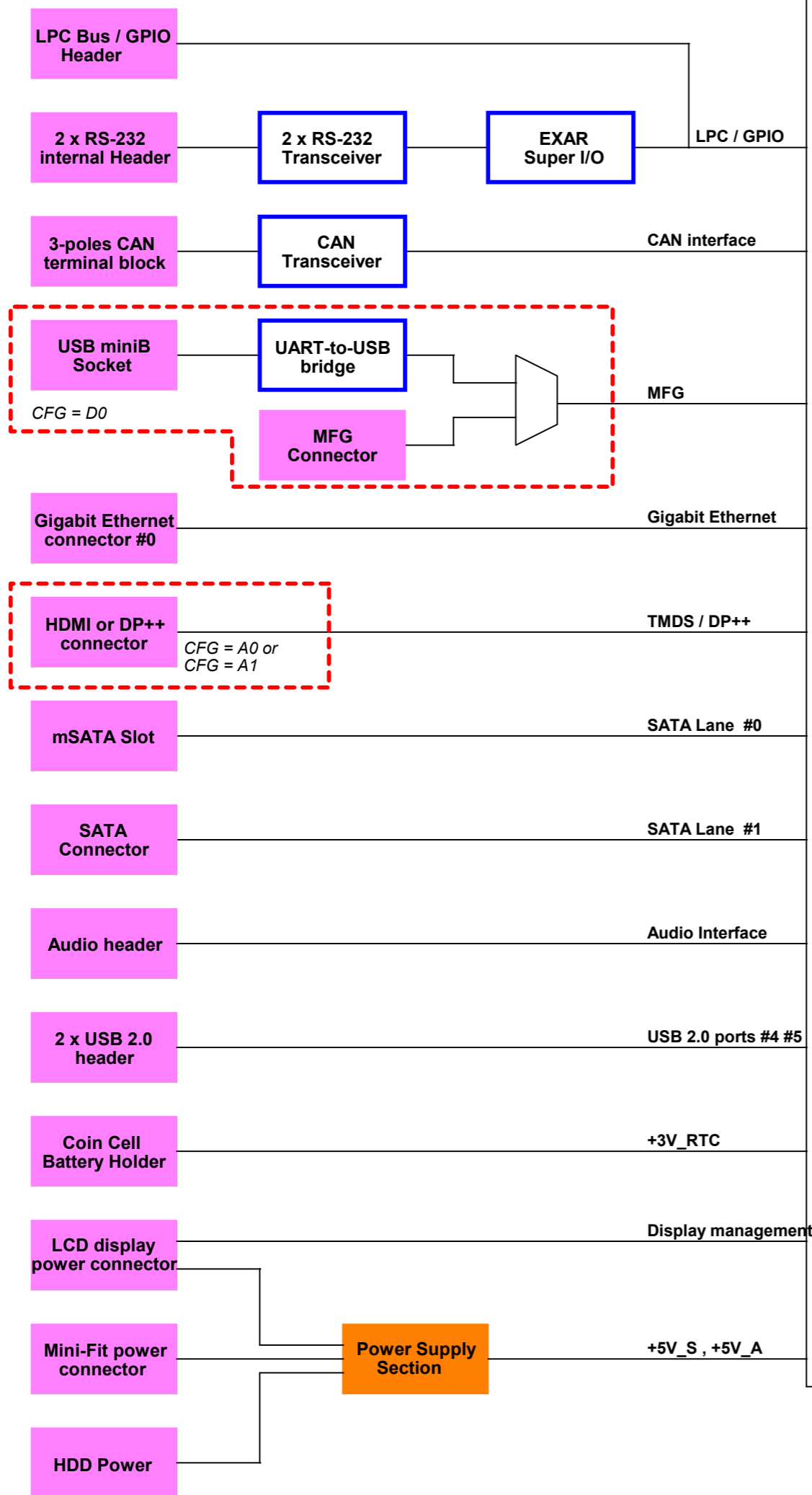


μQSEVEN SURFACE MOUNT FASTENERS

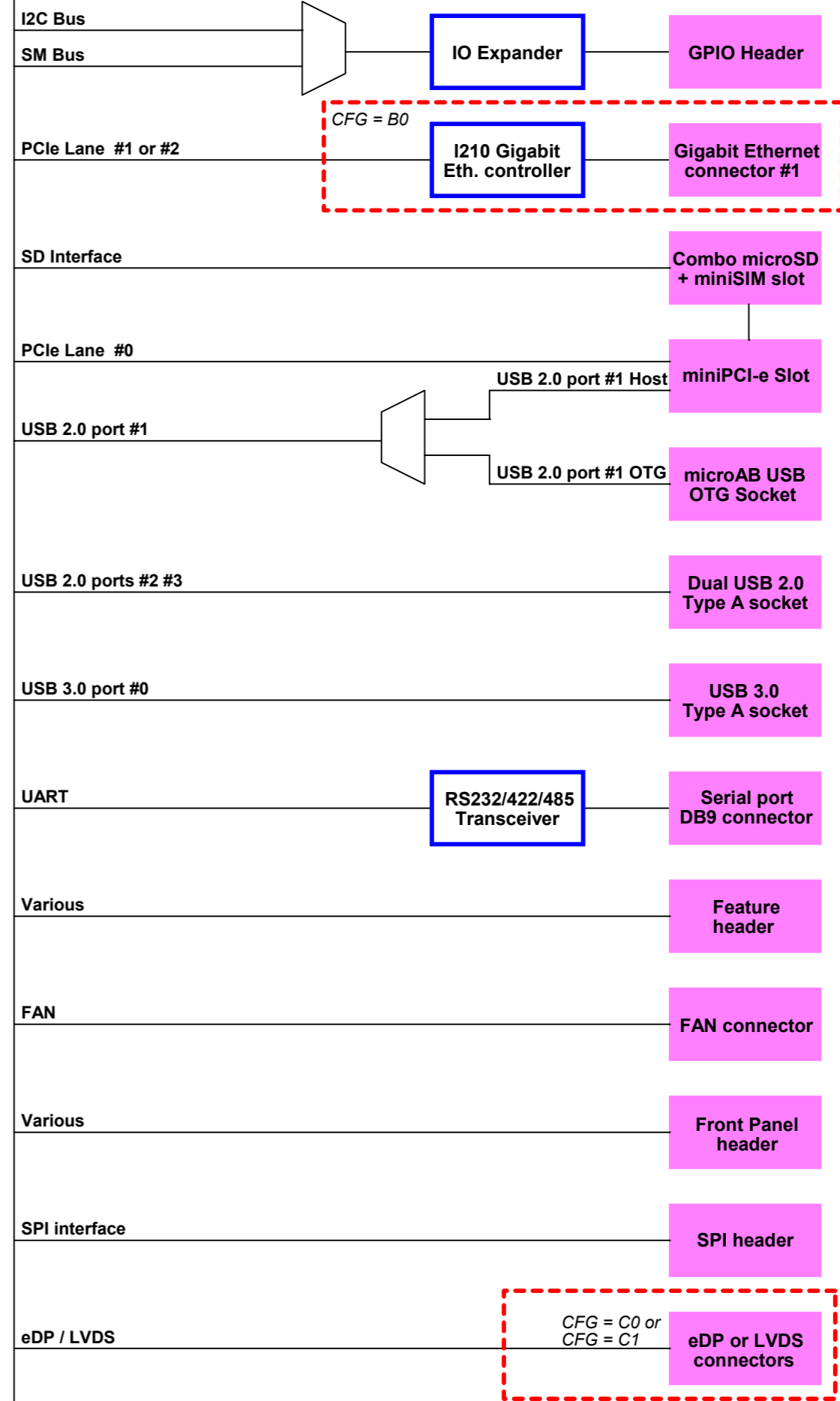
SECO S.p.A.
 Via Calamandrei 91
 52100 Arezzo
 Italy



Schematic Title 3.5" Q7 2.0 CARRIER BOARD		Created
Size A3	Page Name MAIN	Rev 03
Date: Wednesday, October 02, 2019		Sheet 1 of 13



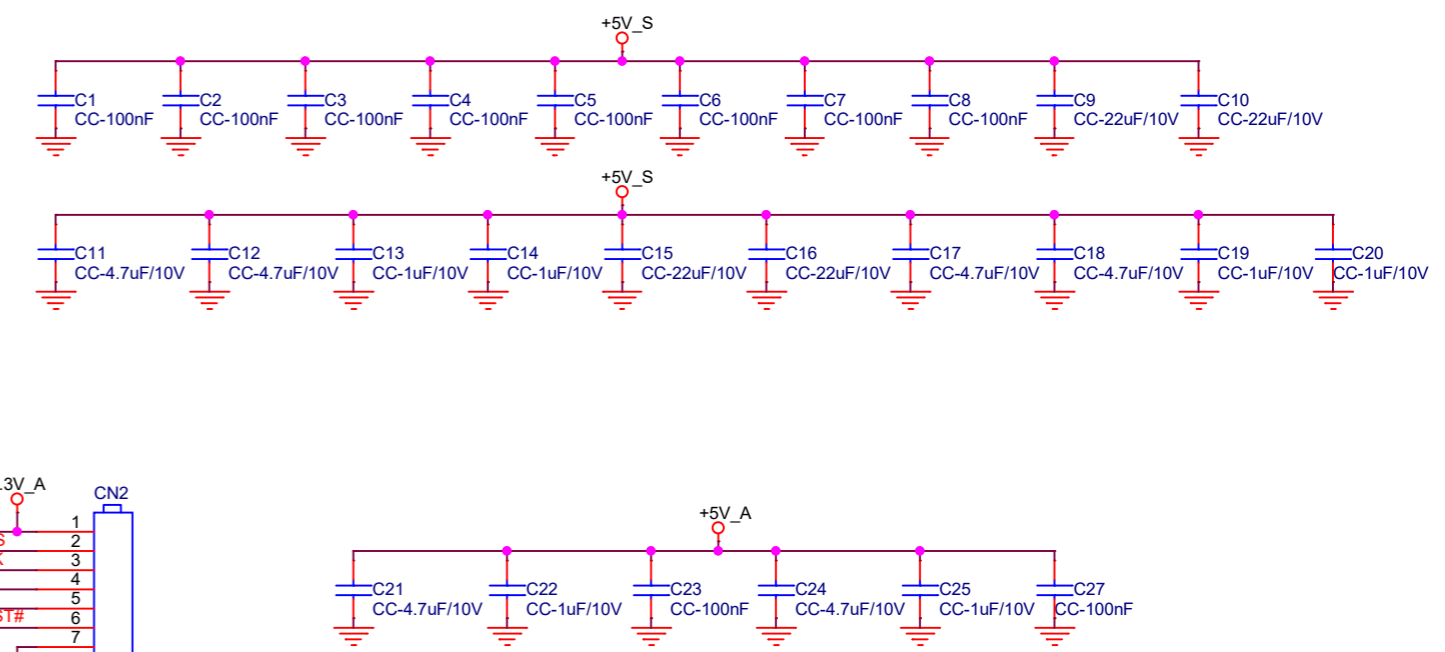
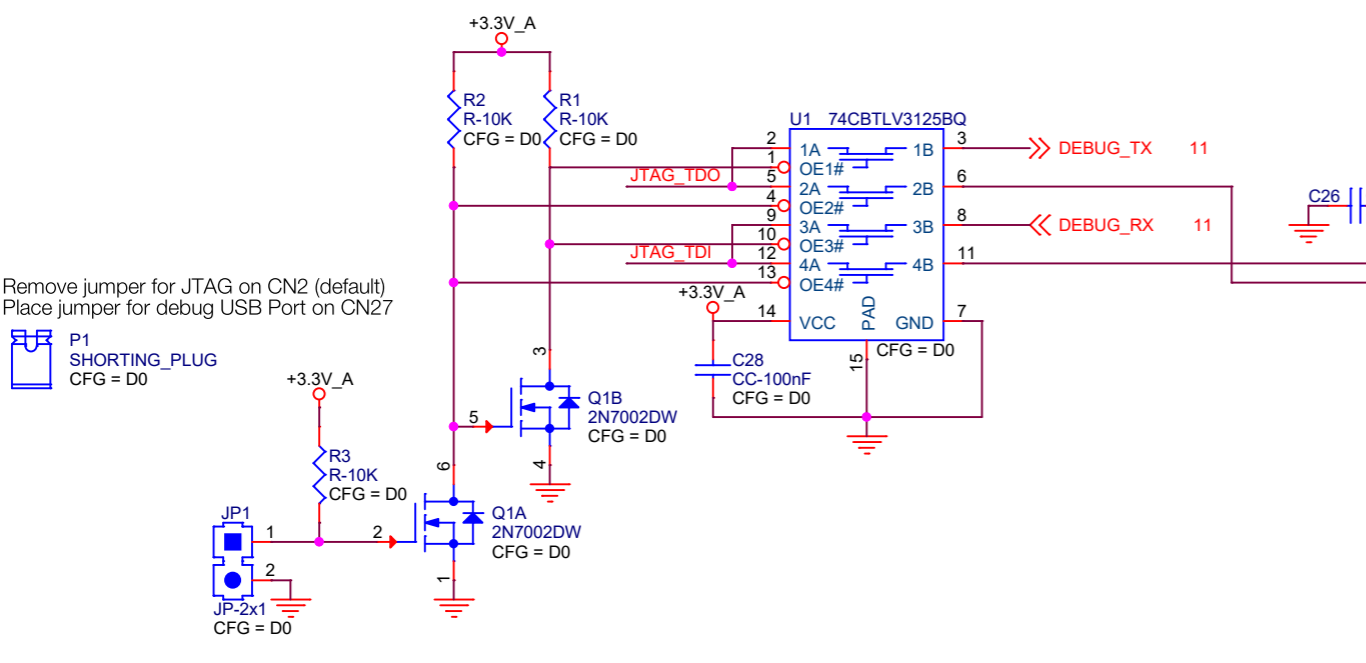
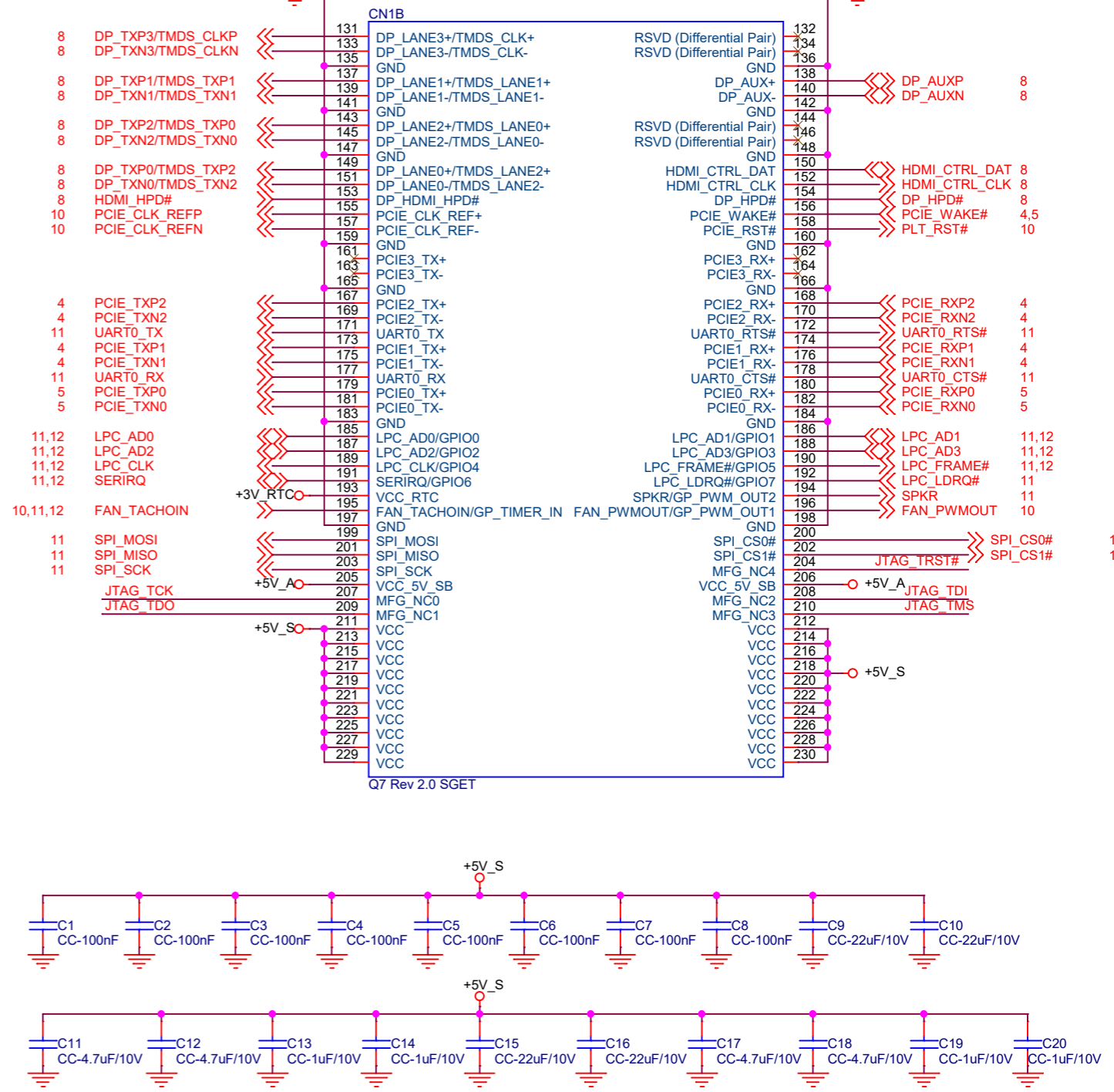
QSEVEN CONNECTOR



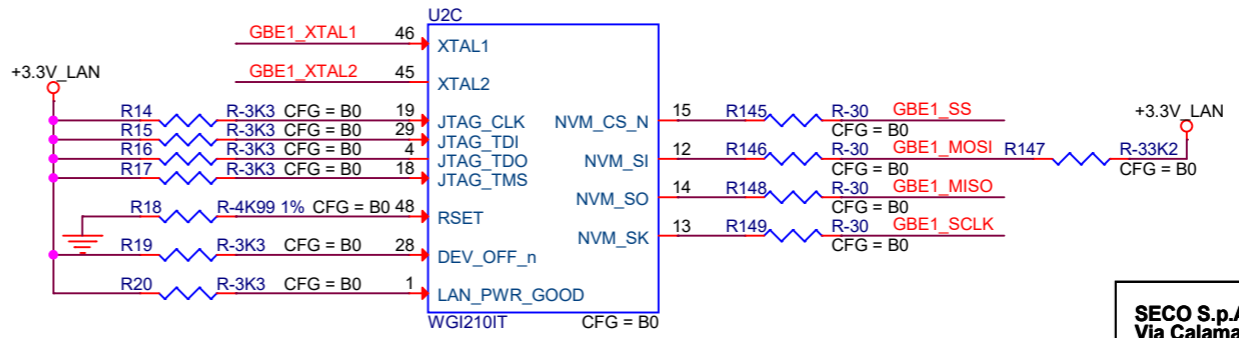
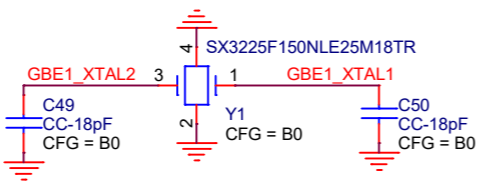
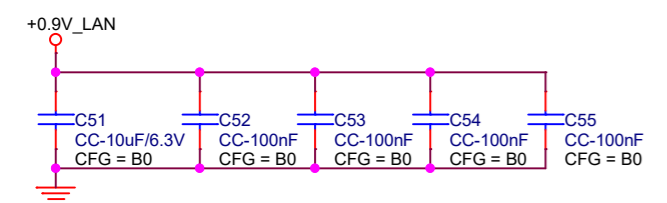
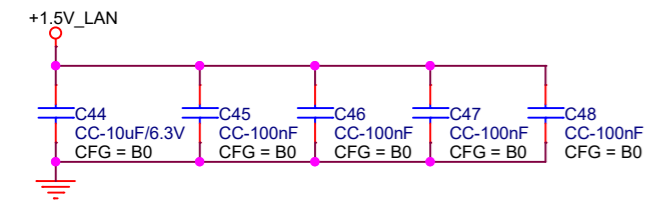
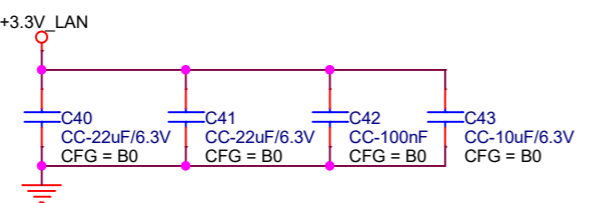
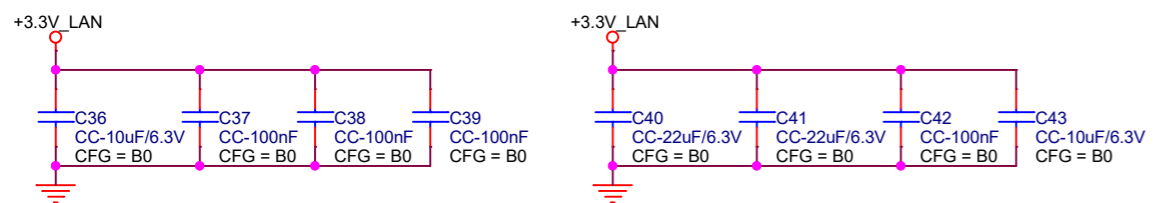
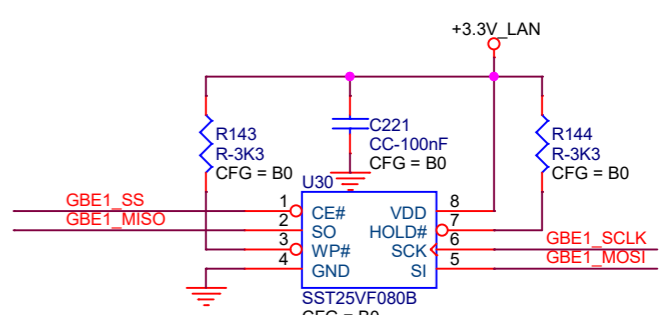
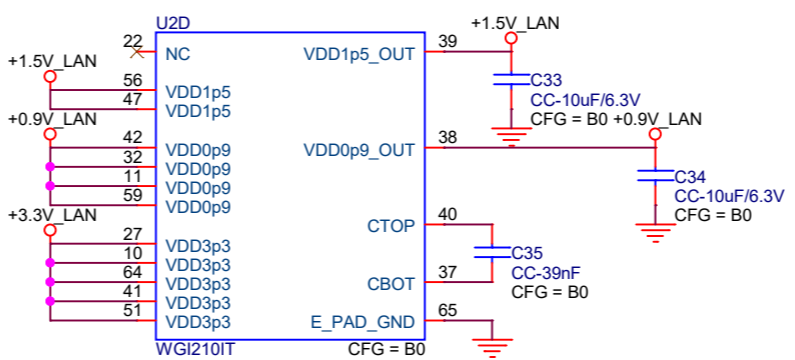
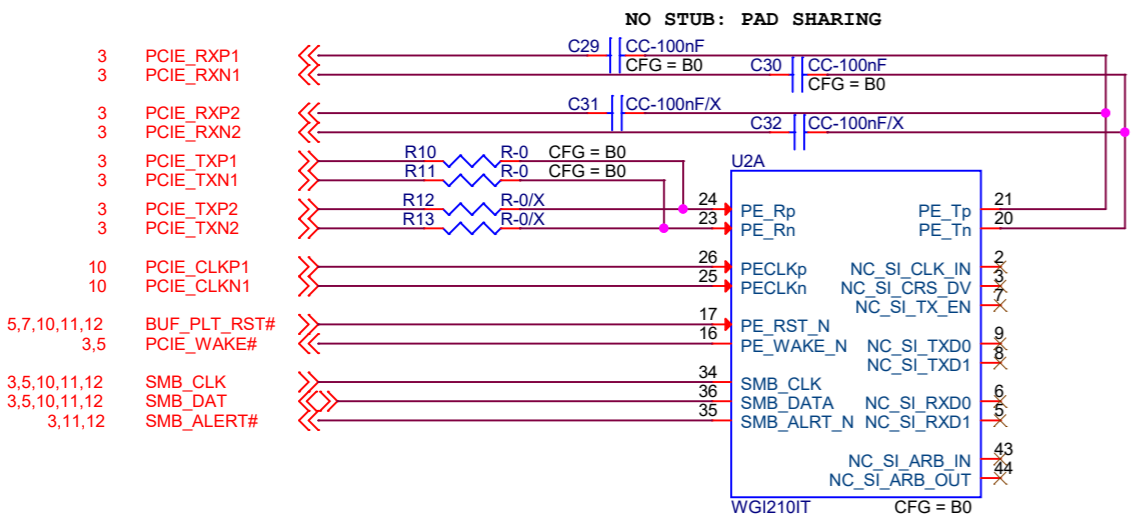
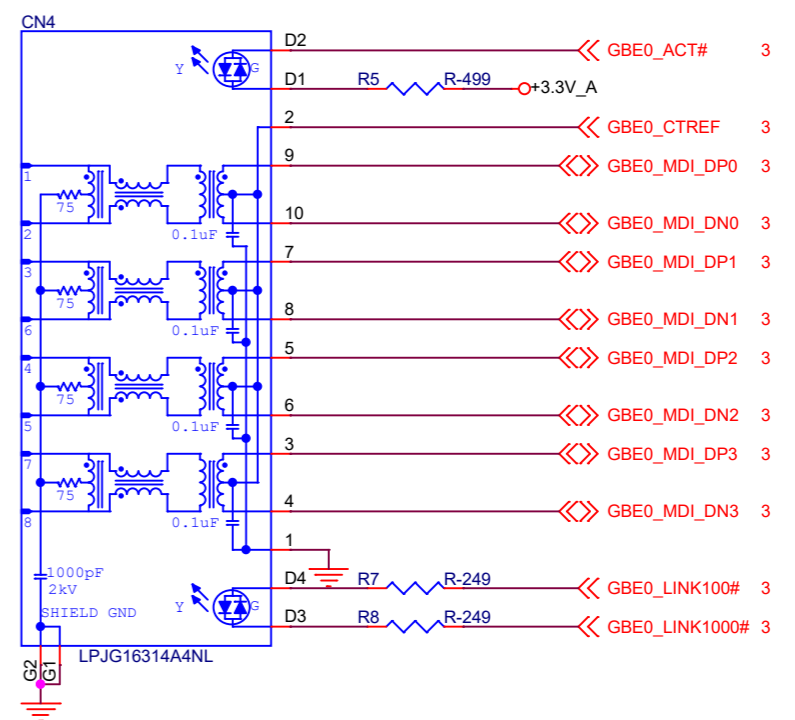
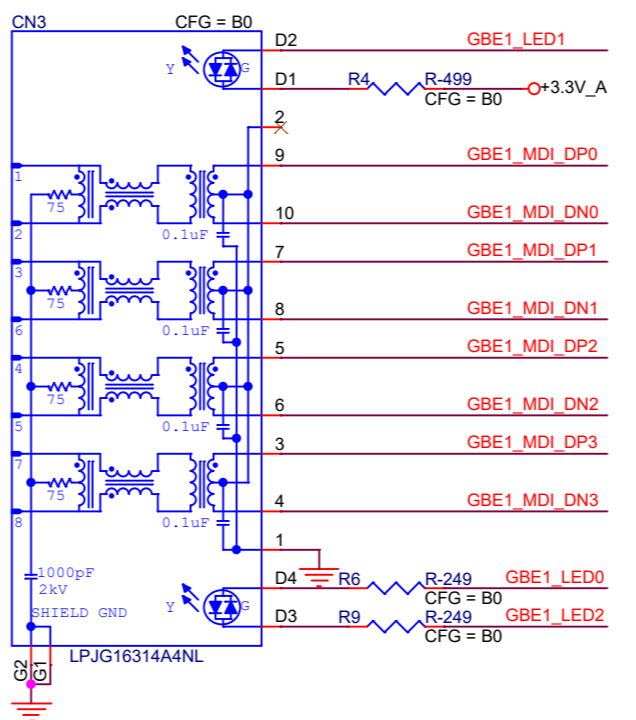
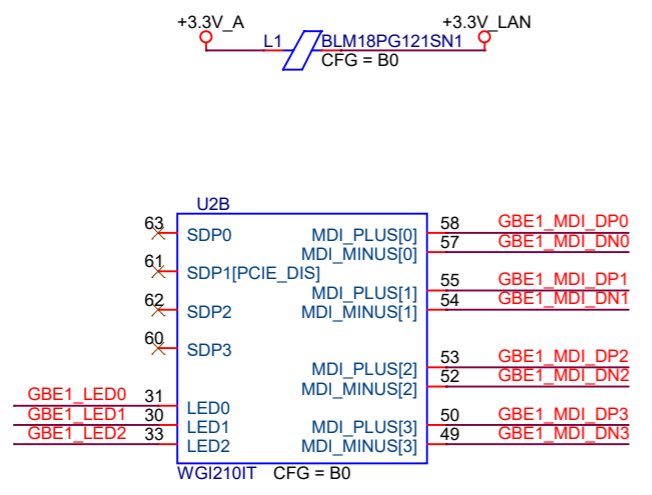
SECO S.p.A.
via Calamandrei, 91
52100 Arezzo
Italy



Schematic Title		Created
3.5" Q7 2.0 CARRIER BOARD		
Size	Page Name	Rev
A3	Block Diagram	03
Date:	Wednesday, October 02, 2019	Sheet 2 of 13



SECO S.p.A. Via Calamandrei 91 52100 Arezzo Italy		
Schematic Title 3.5" Q7 2.0 CARRIER BOARD		
Size A3	Page Name QSEVEN	Rev 03
Date: Wednesday, October 02, 2019		Sheet 3 of 13



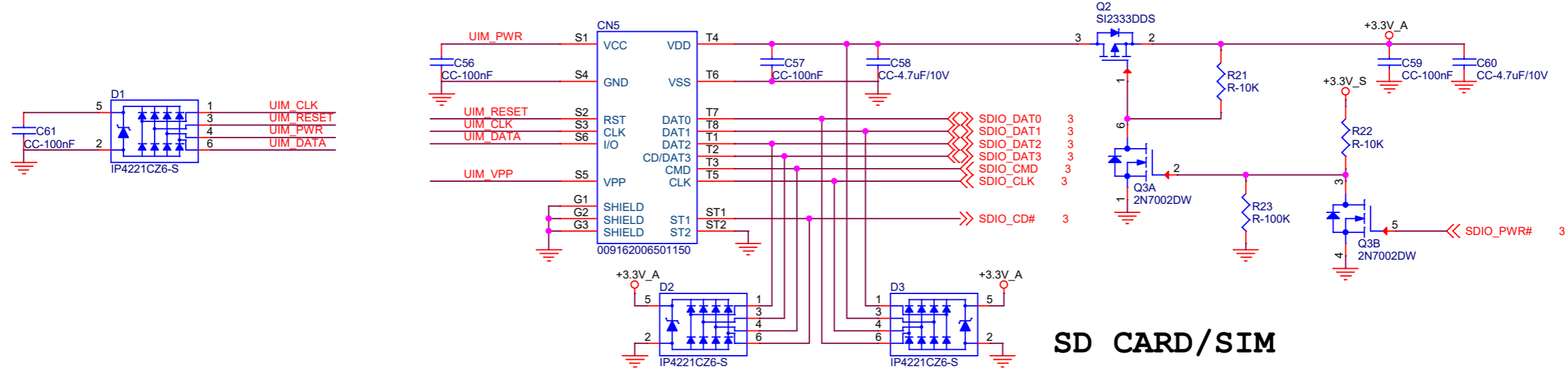
SECO S.p.A.
Via Calamandrei 91
52100 Arezzo
Italy

SECO

Schematic Title: 3.5" Q7 2.0 CARRIER BOARD
Created: _____

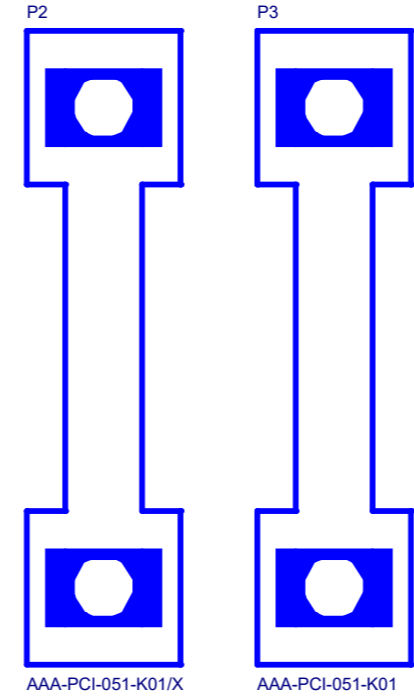
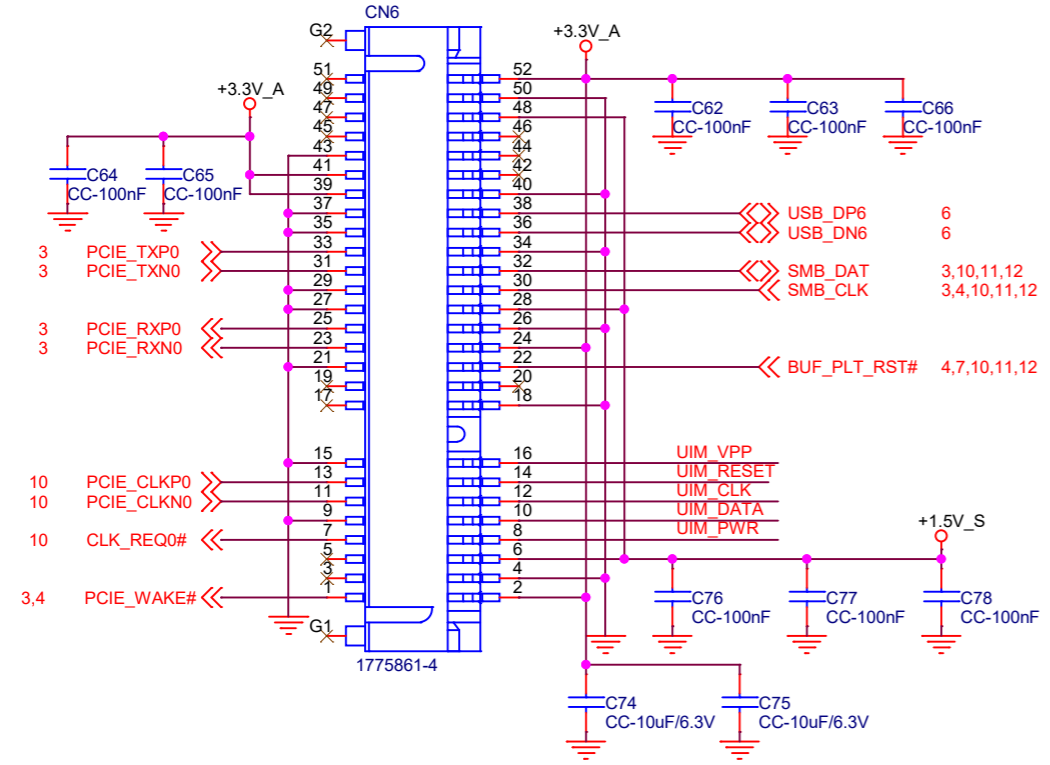
Size: A3 Page Name: ETHERNET CONNECTIONS Rev: 03

Date: Wednesday, October 02, 2019 Sheet: 4 of 13

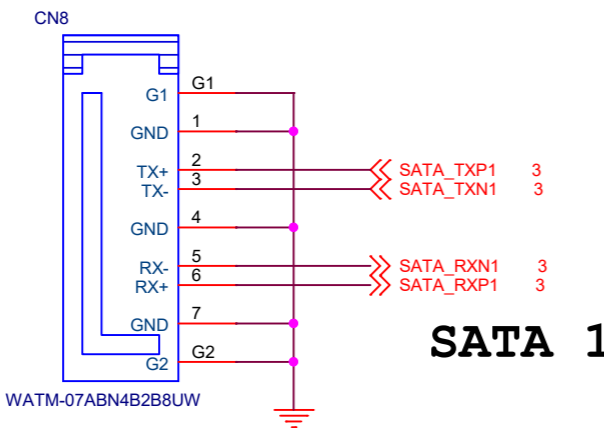
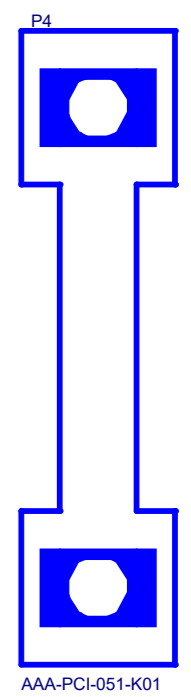
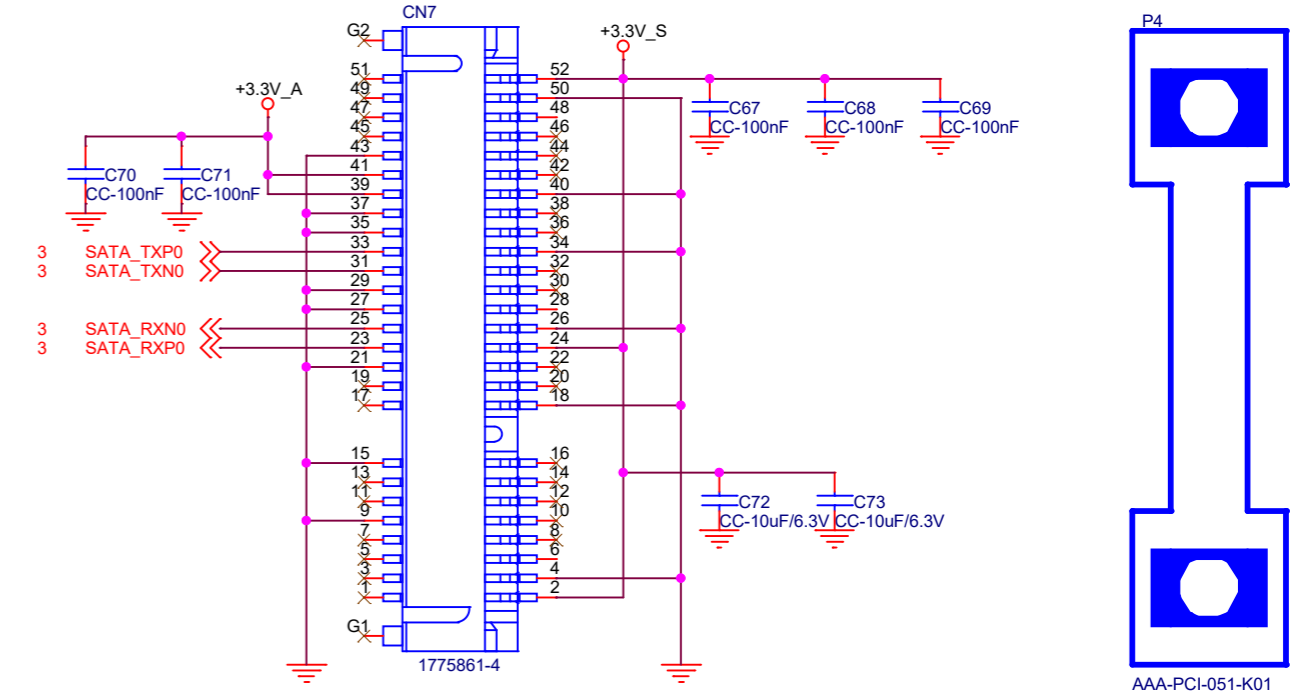


SD CARD/SIM

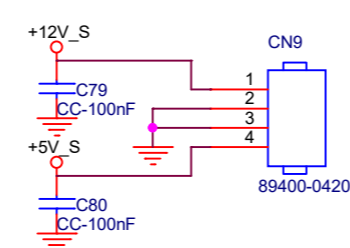
HALF/FULL MINI-PCIE



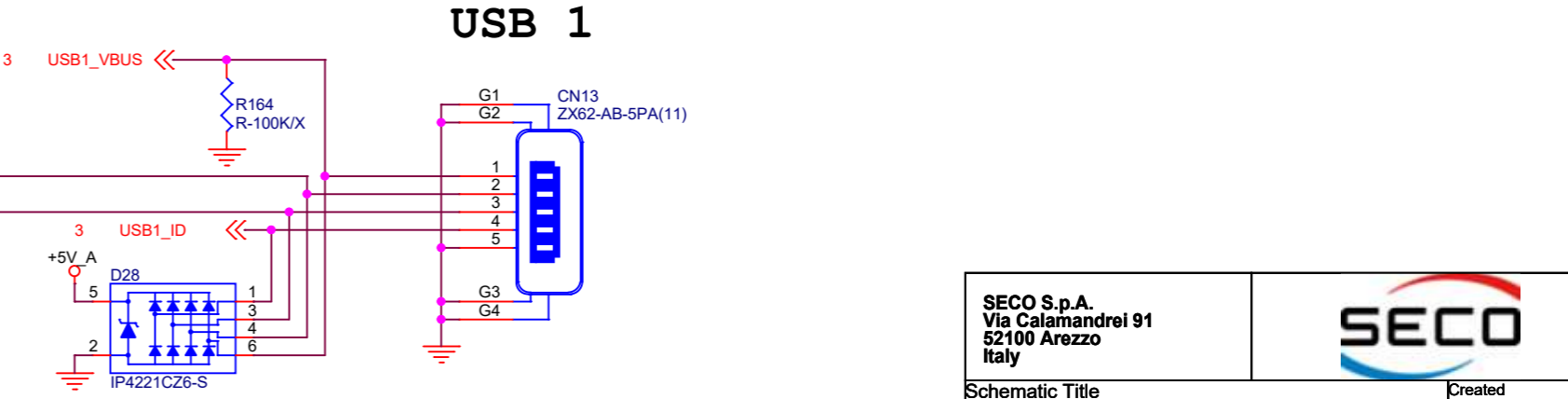
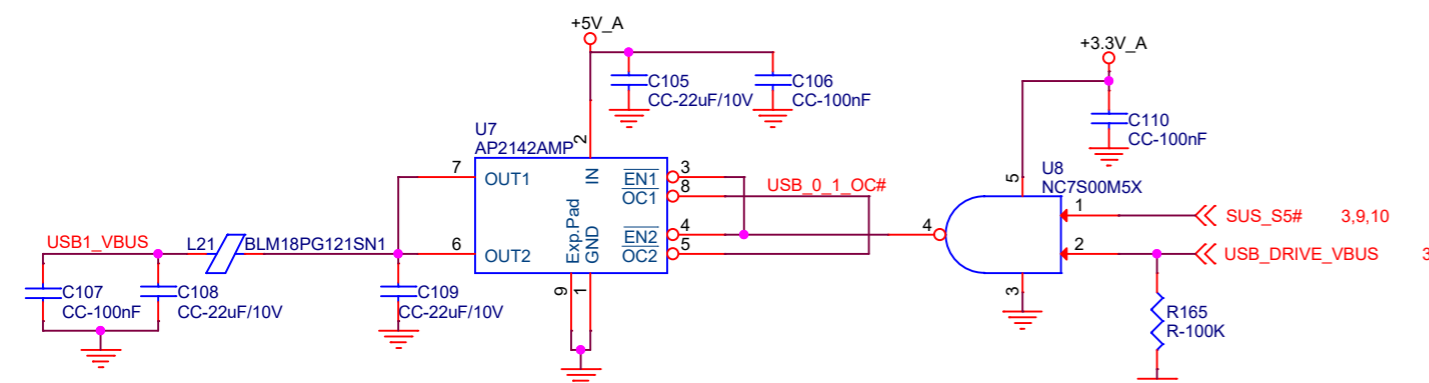
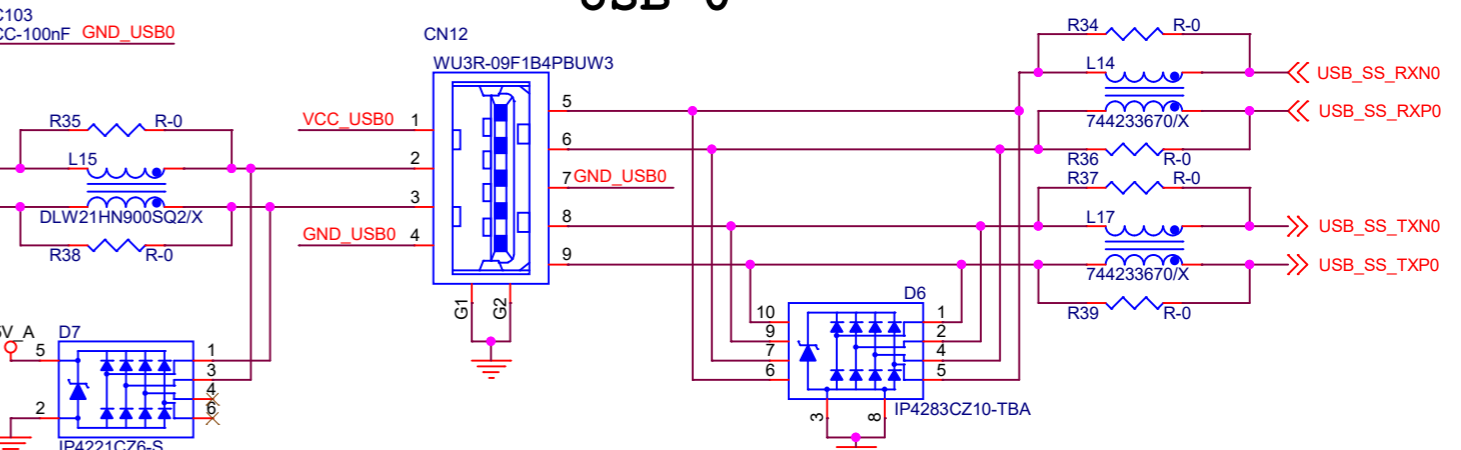
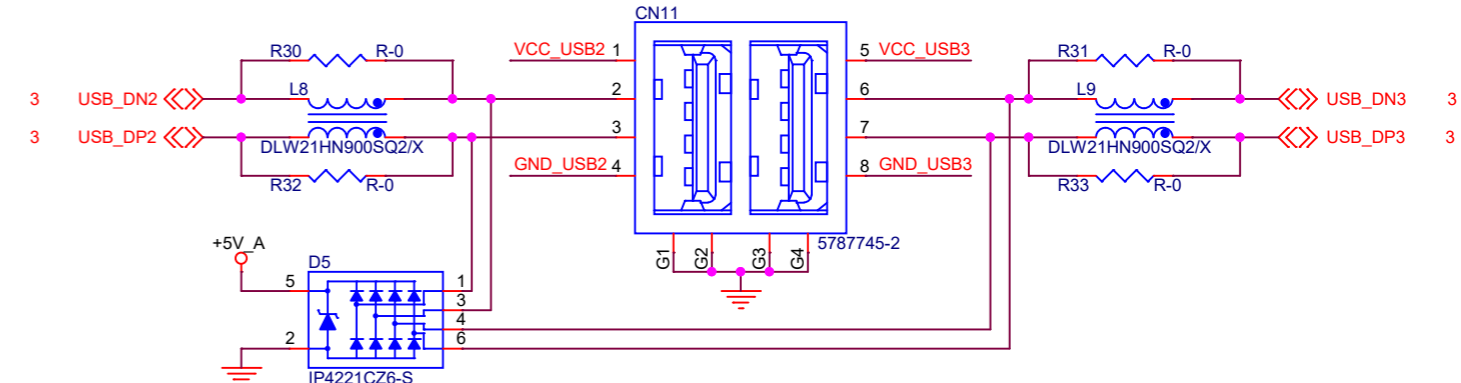
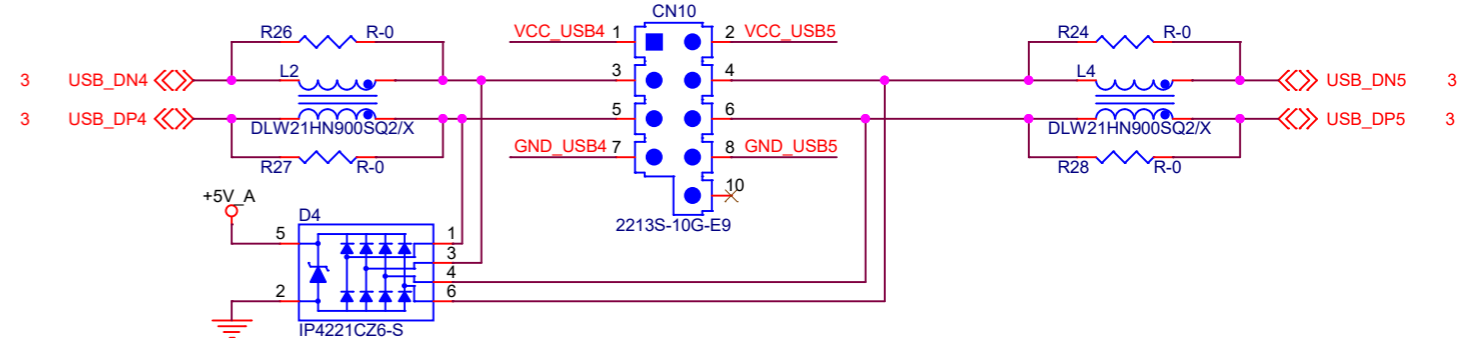
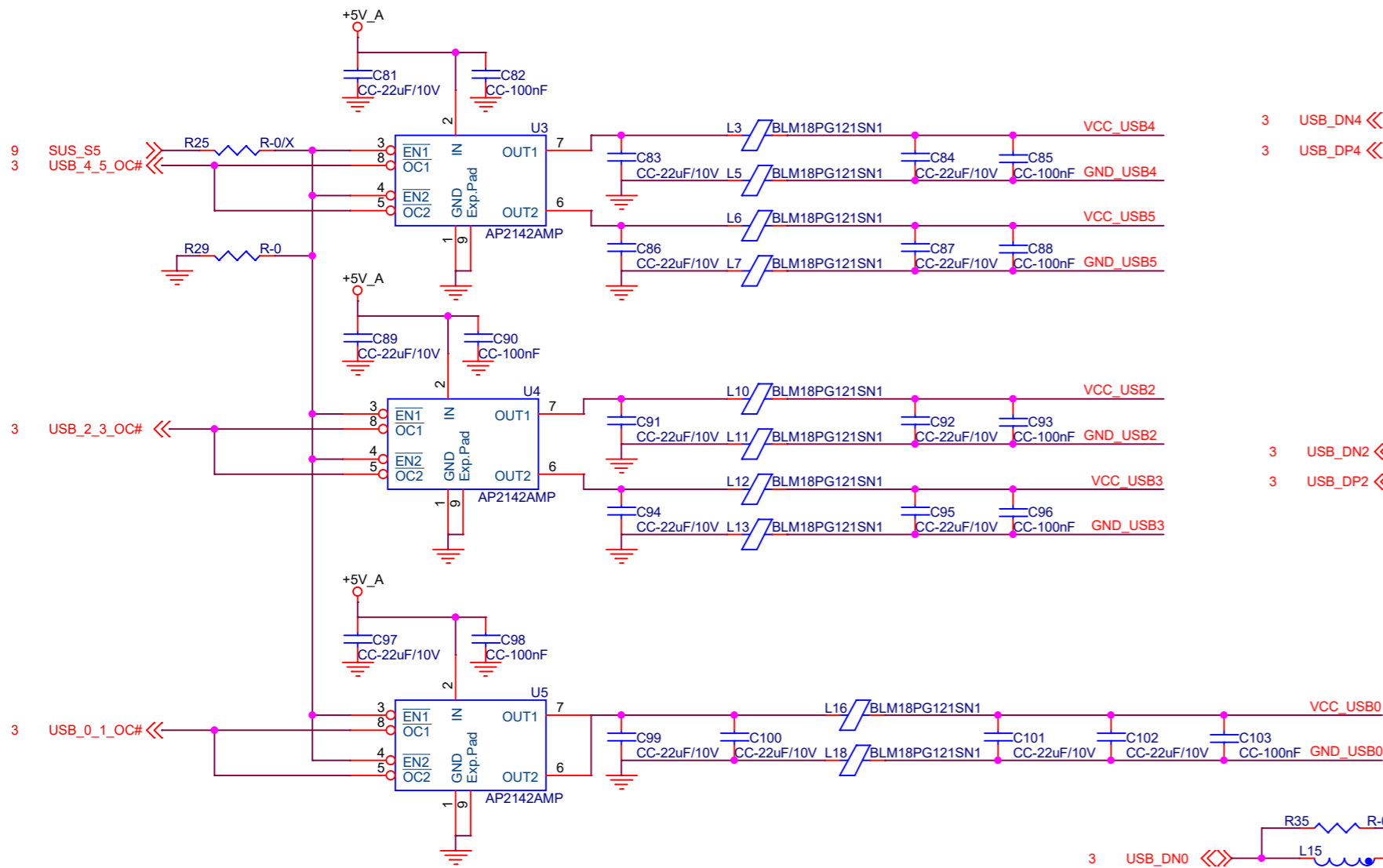
mSATA



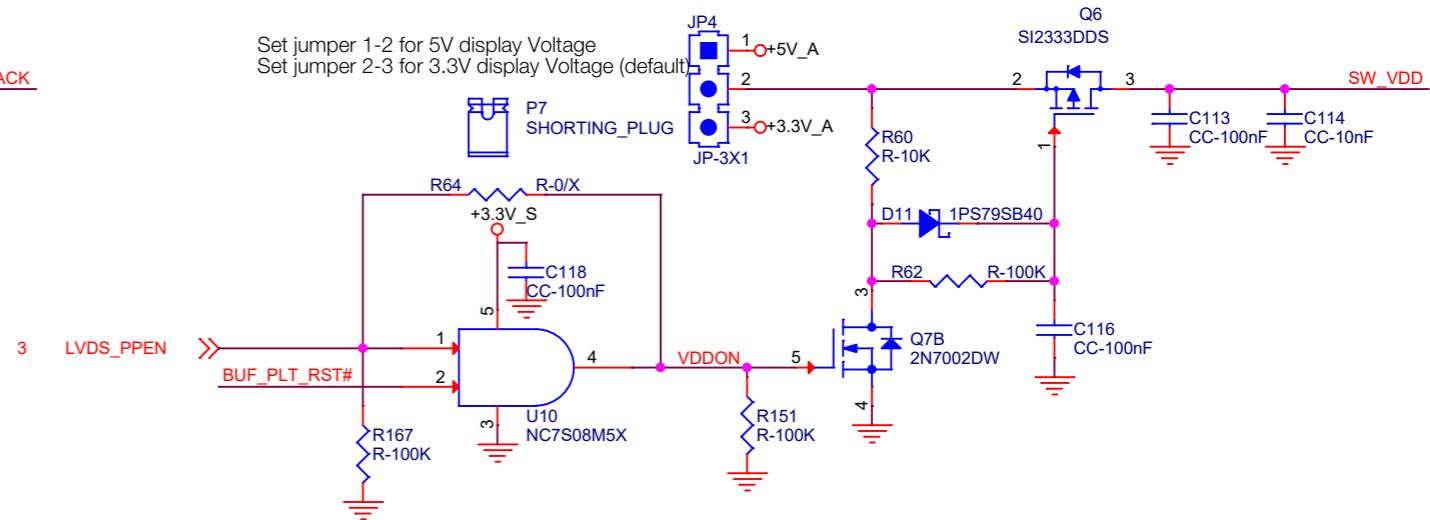
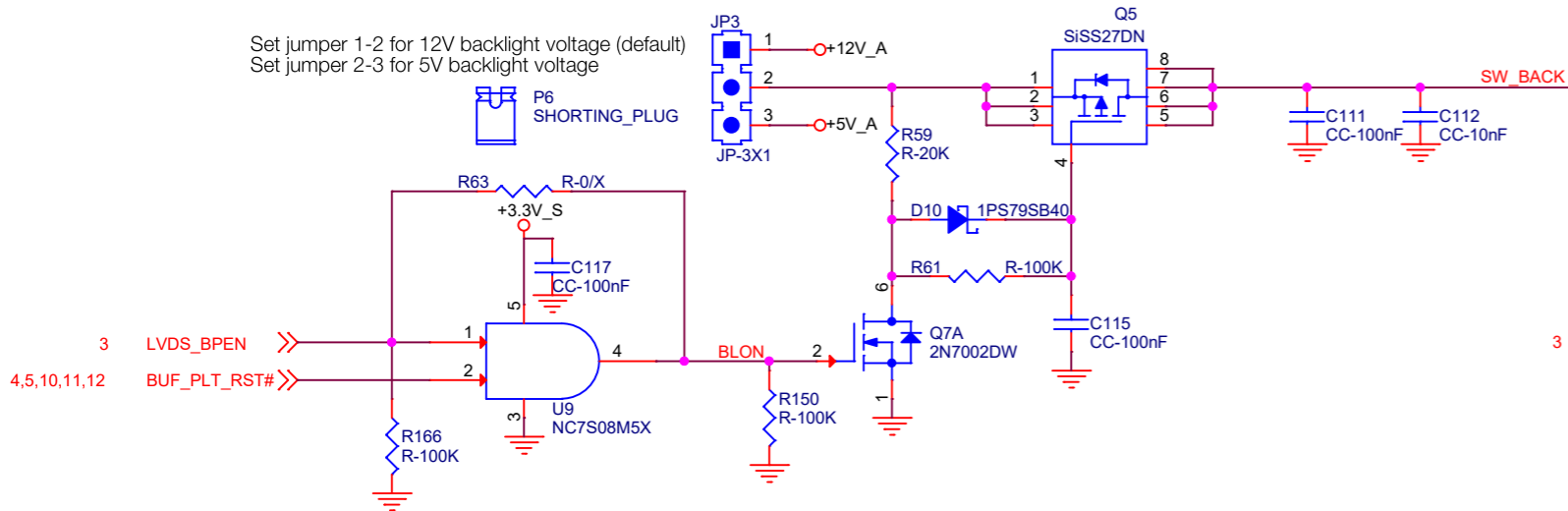
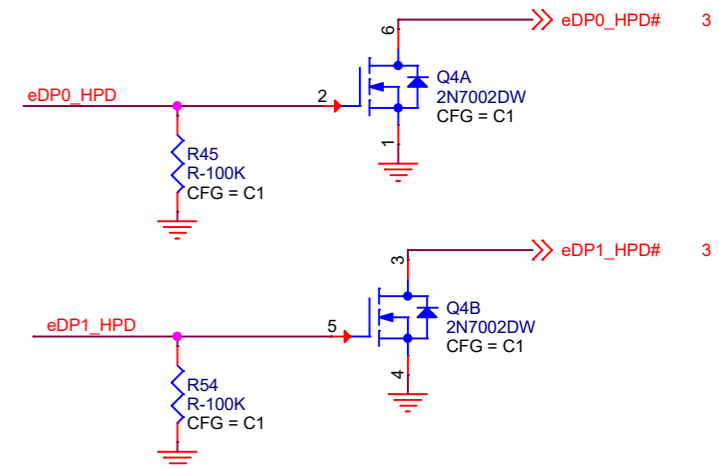
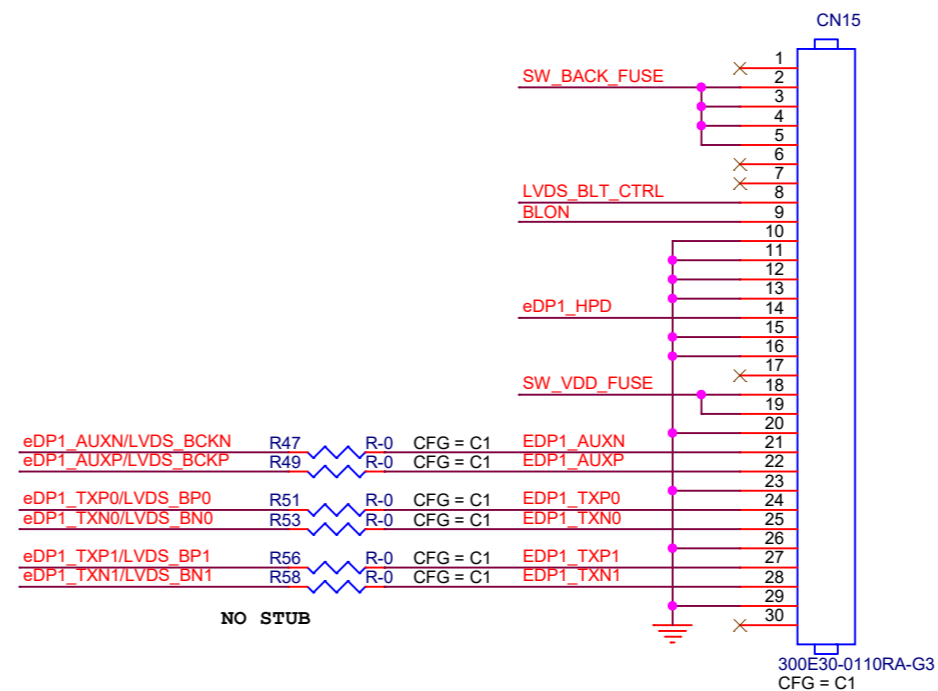
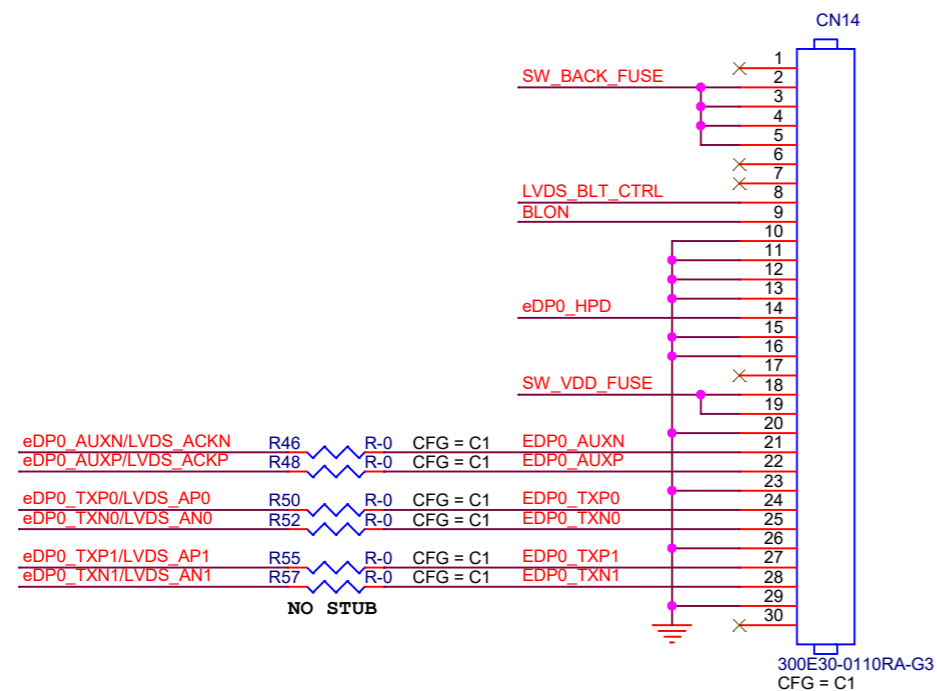
SATA 1



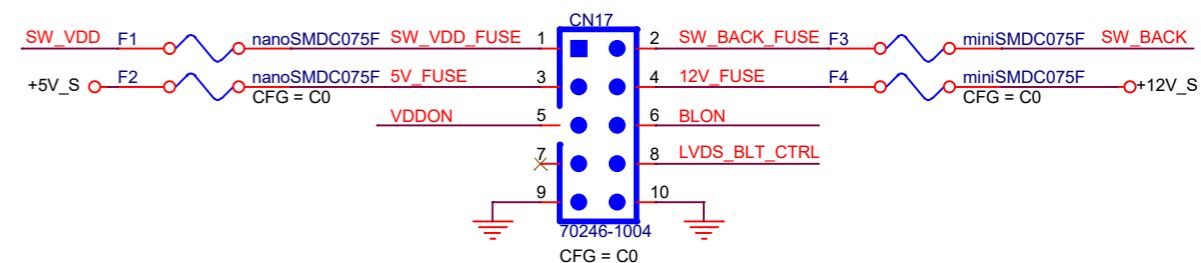
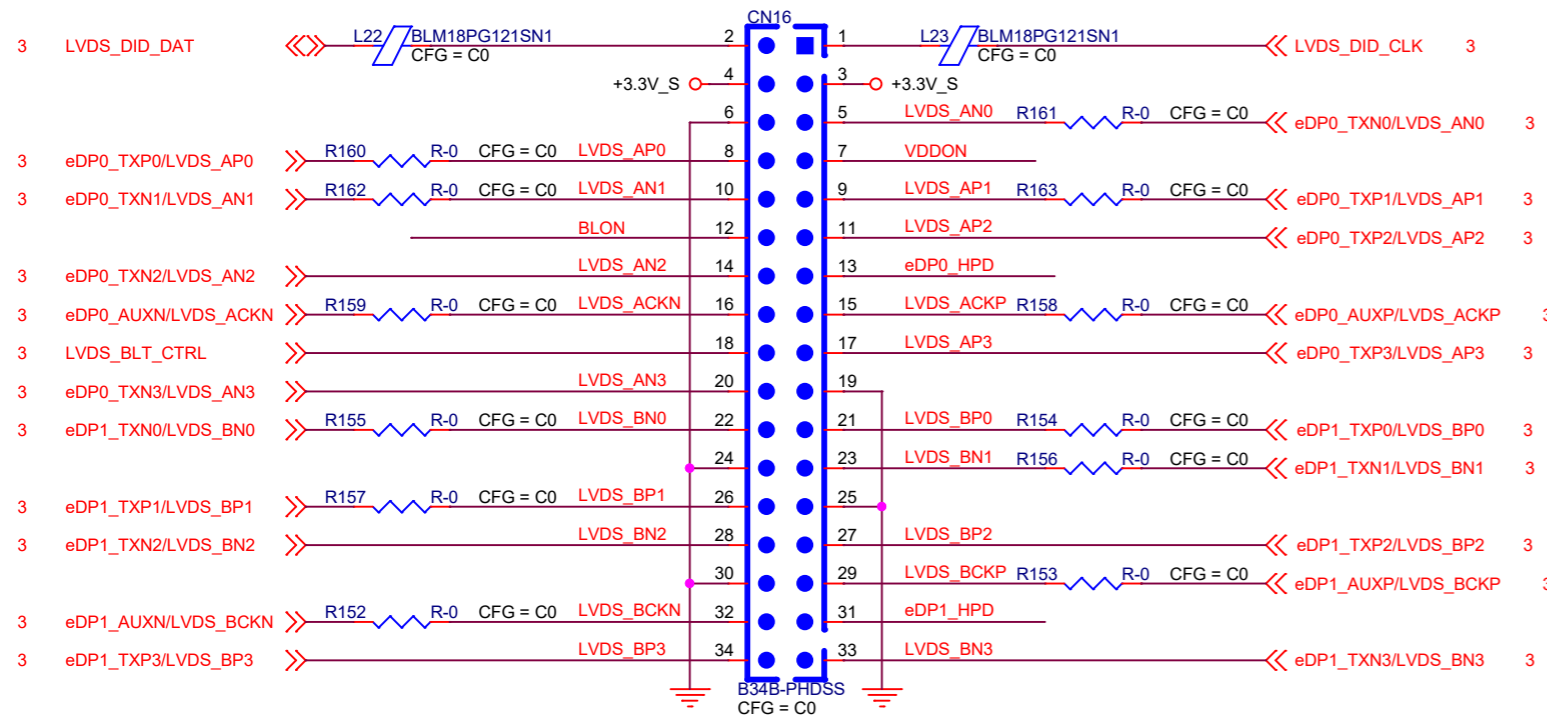
SECO S.p.A. Via Calamandrei 91 52100 Arezzo Italy		
Schematic Title 3.5" Q7 2.0 CARRIER BOARD		Created
Size A3	Page Name SD SATA mSATA miniPCI-E	Rev 03
Date:	Wednesday, October 02, 2019	Sheet 5 of 13

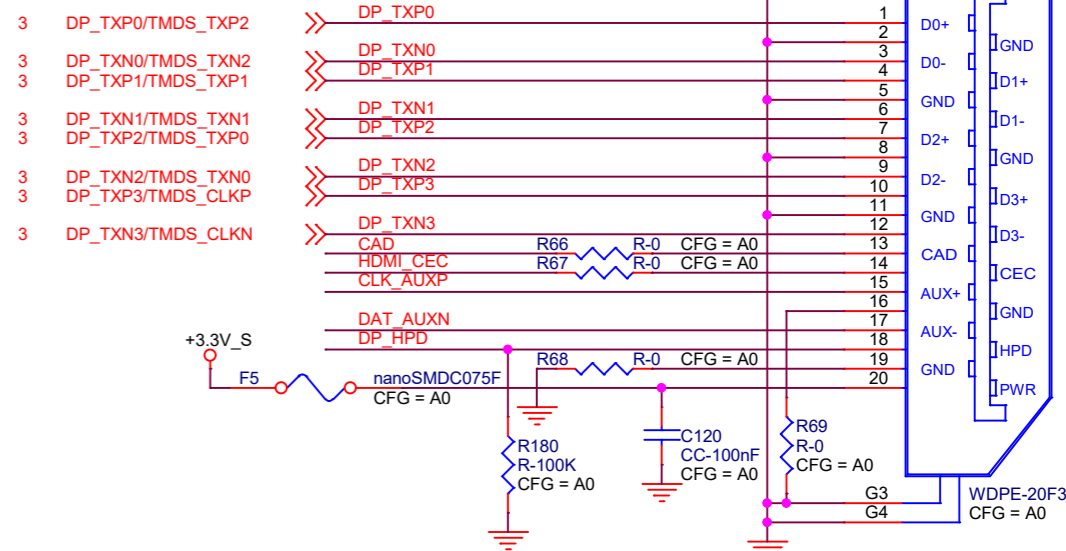
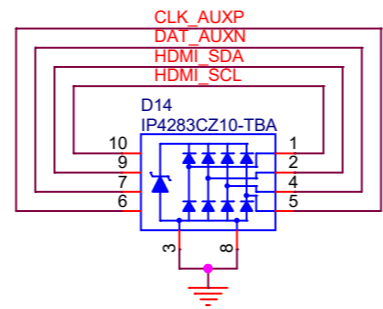
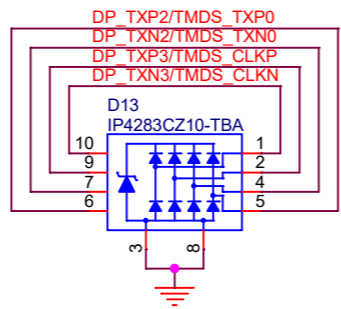
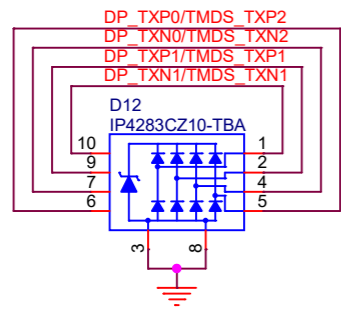


P5 SHORTING_PLUG
 Remove jumper for USB1 on miniPCI-e (default)
 Place jumper for USB P1 on OTG connector



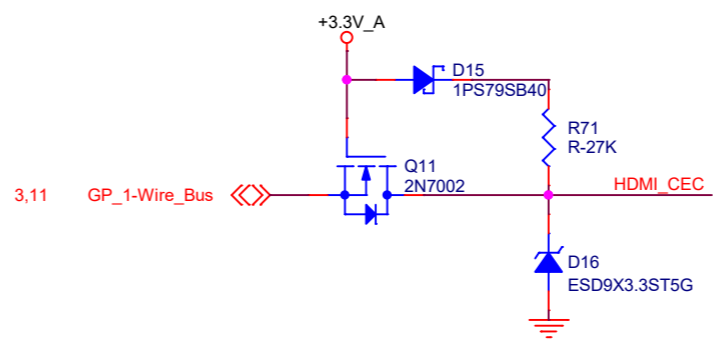
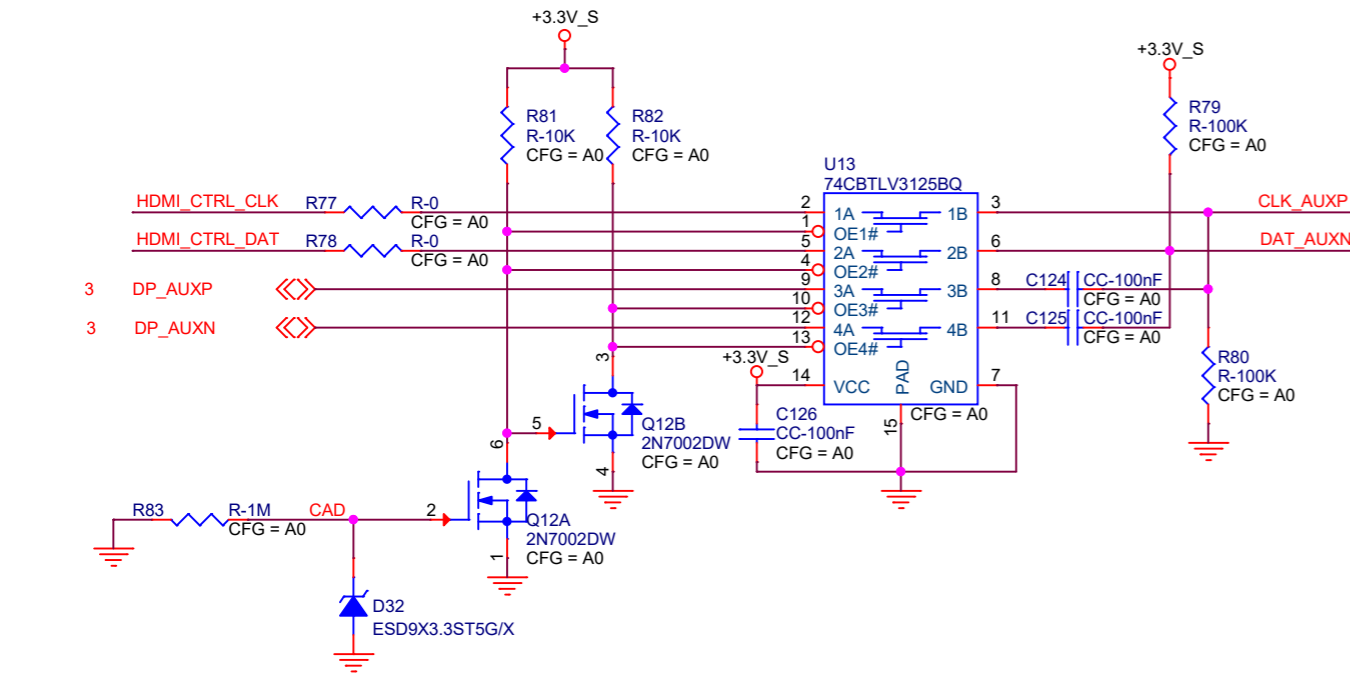
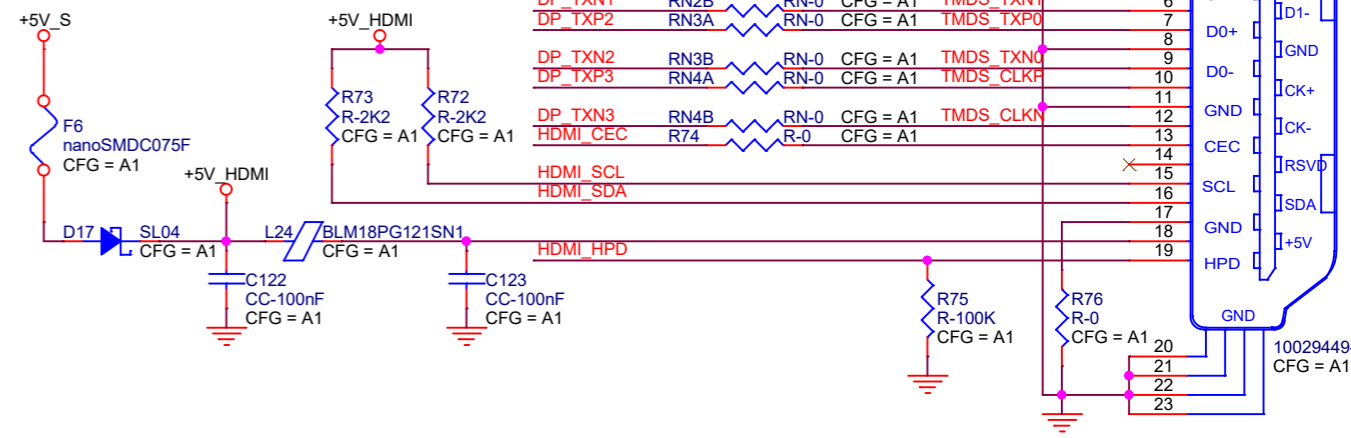
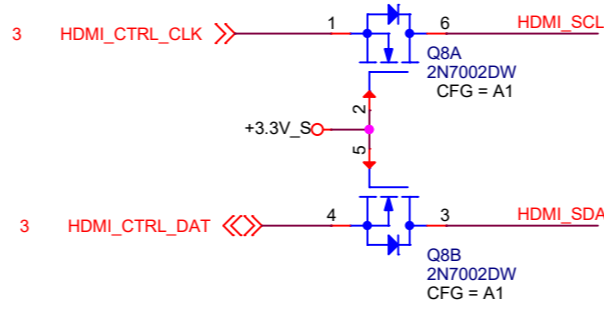
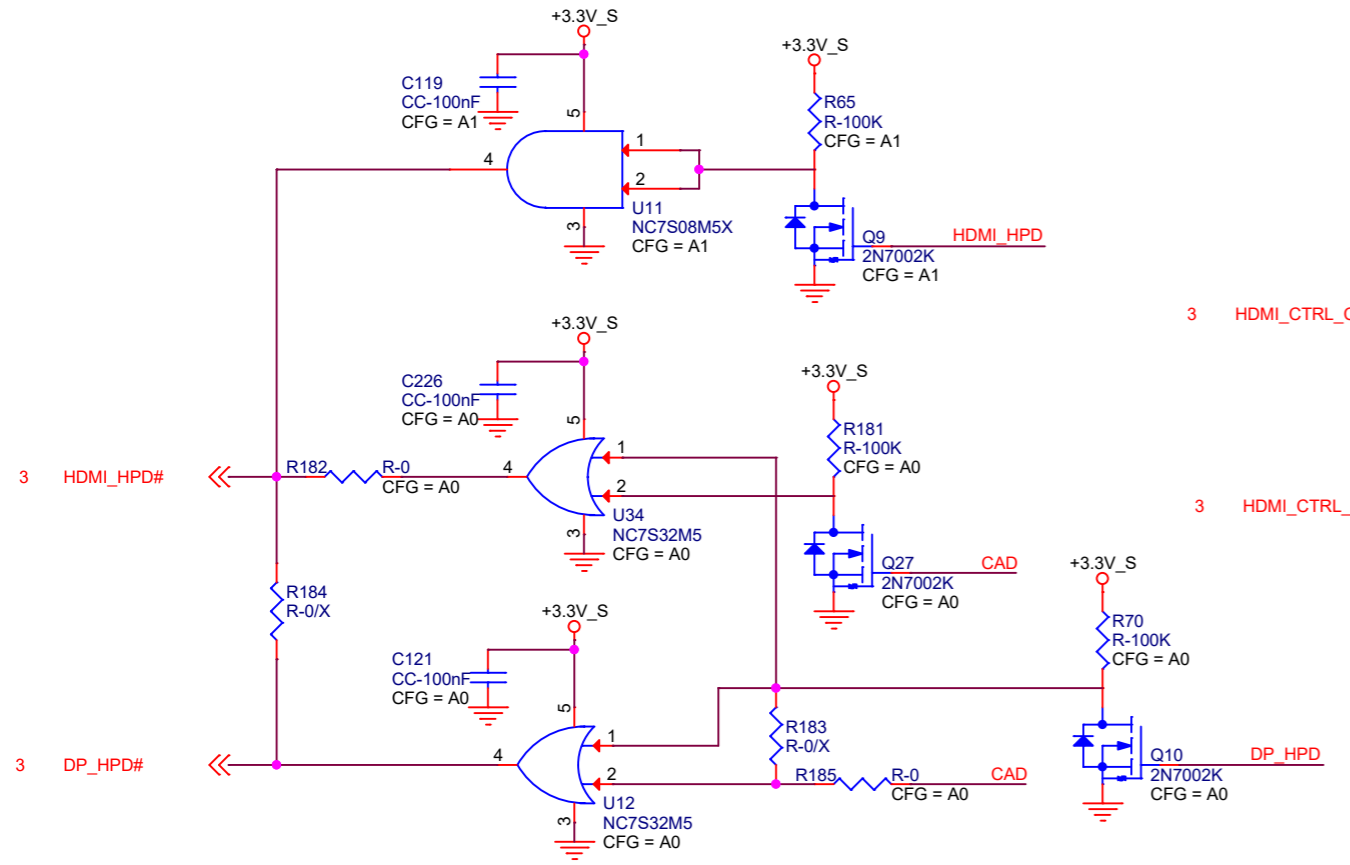
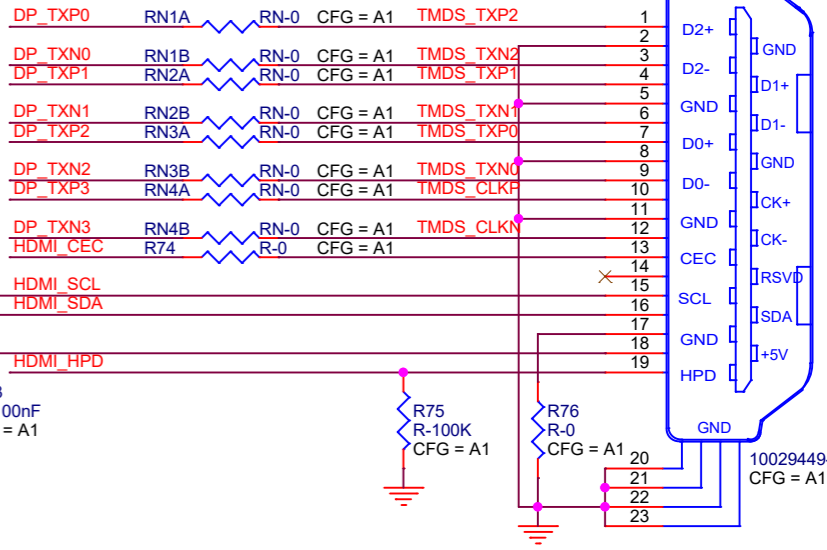
LCD





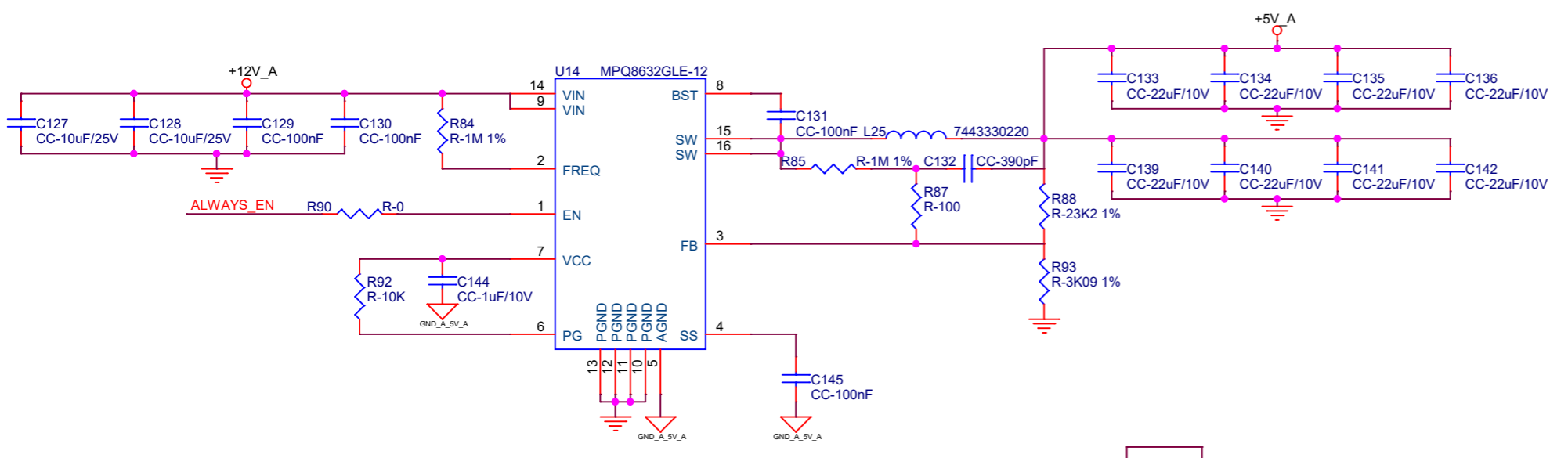
PLACE THE TWO CONNECTORS OVERLAPPED

NO STUB: place all resistors connected close to HDMI connector's pins and continue from there

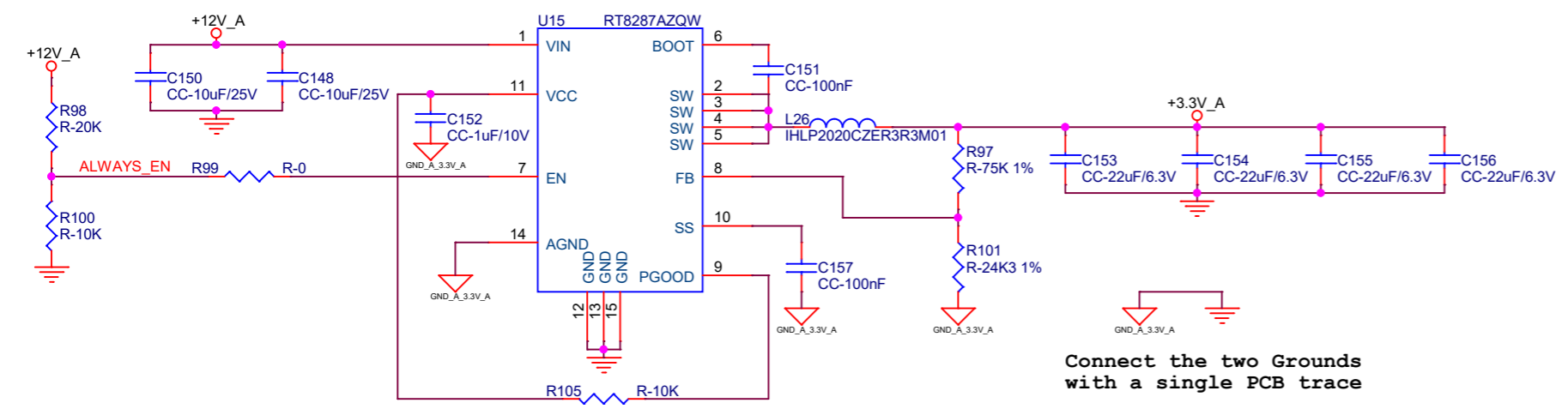


SECO S.p.A.
Via Calamandrei 91
52100 Arezzo
Italy

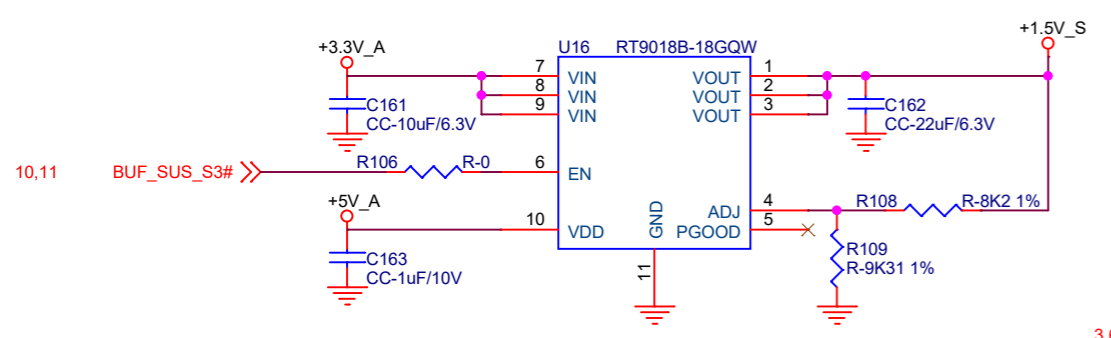
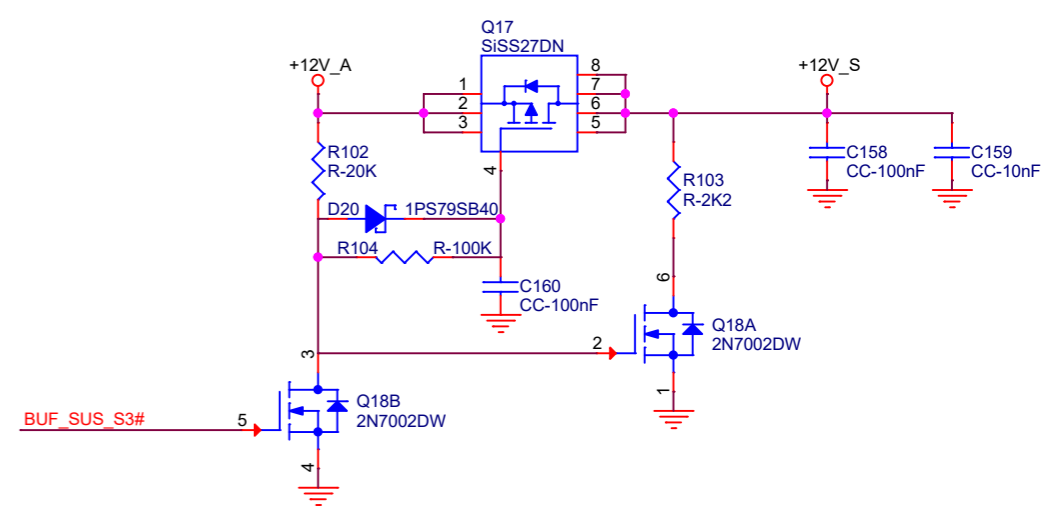
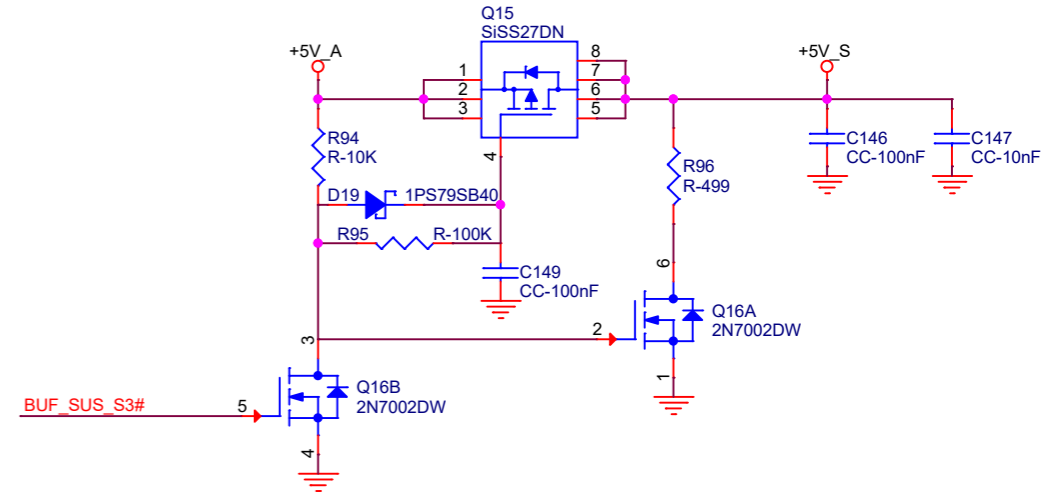
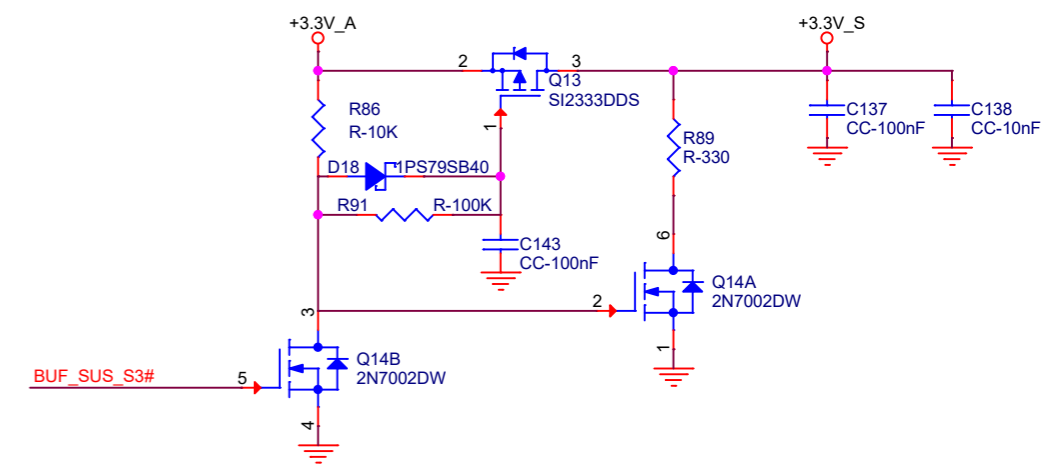




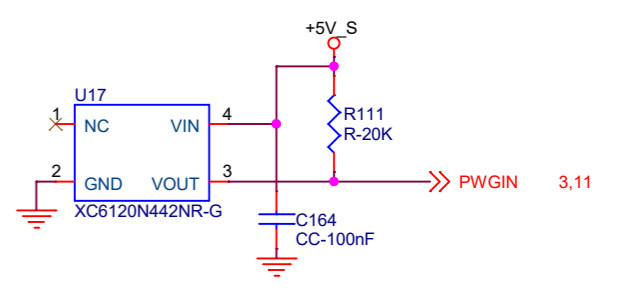
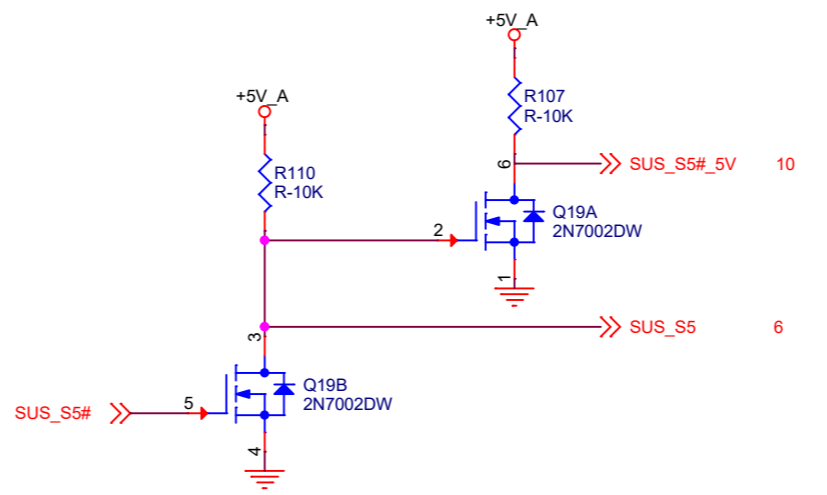
Connect the two Grounds with a single PCB trace



Connect the two Grounds with a single PCB trace



3,6,10

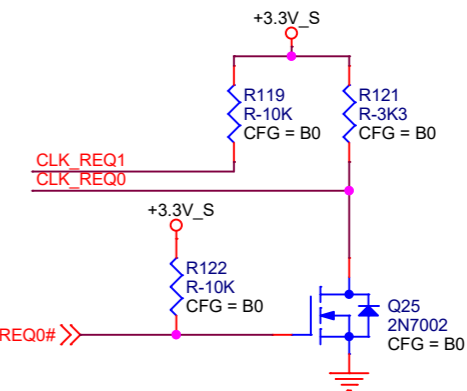
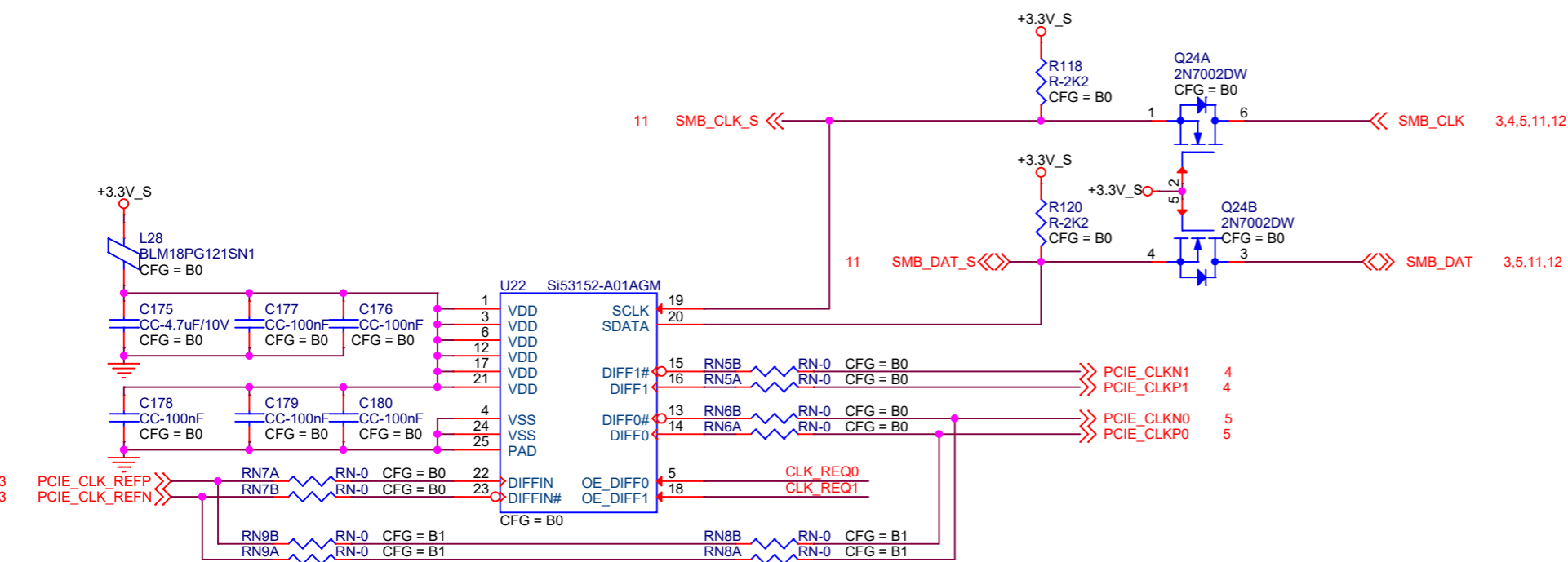
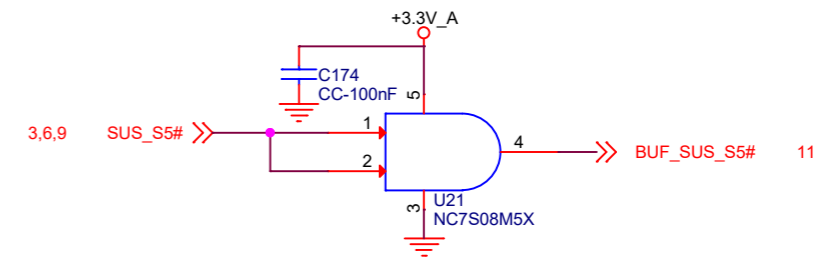
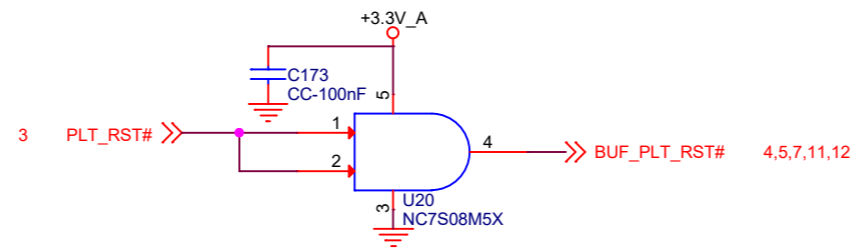
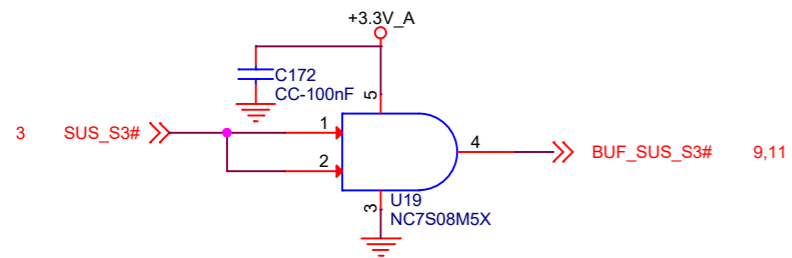
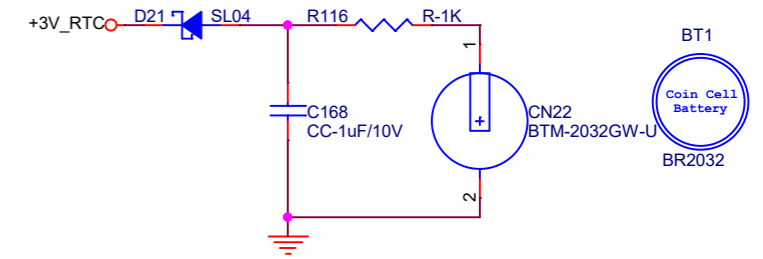
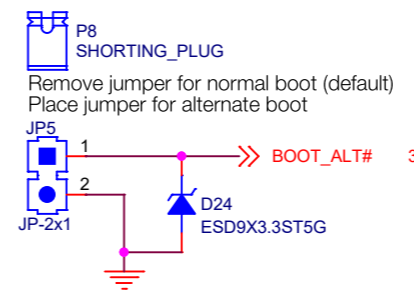
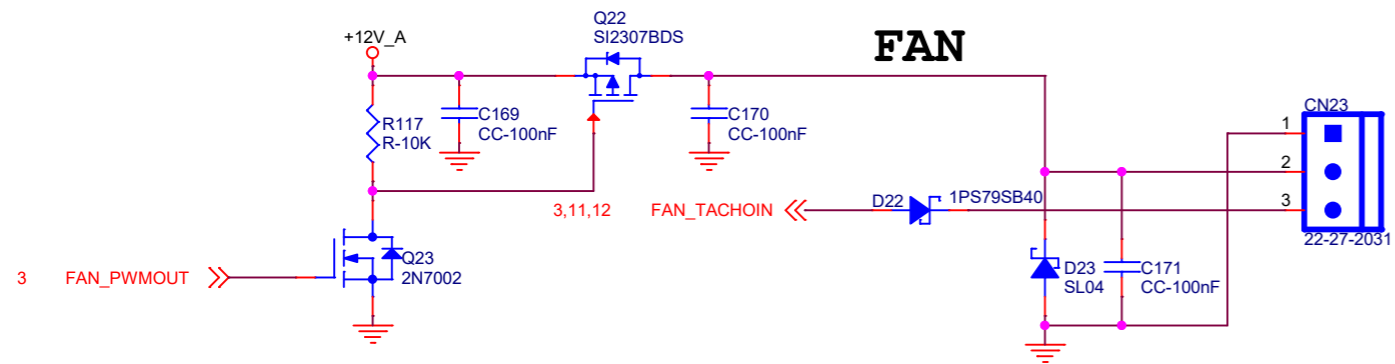
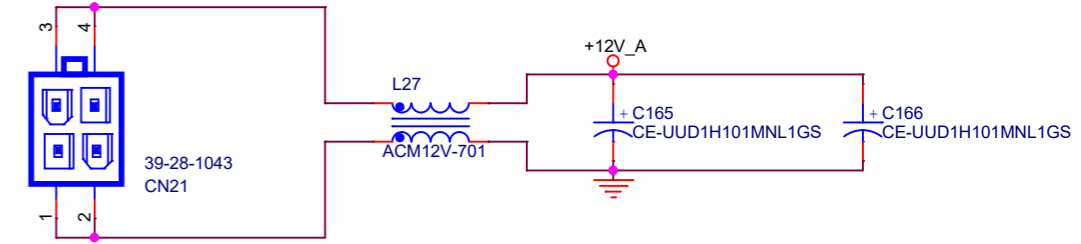
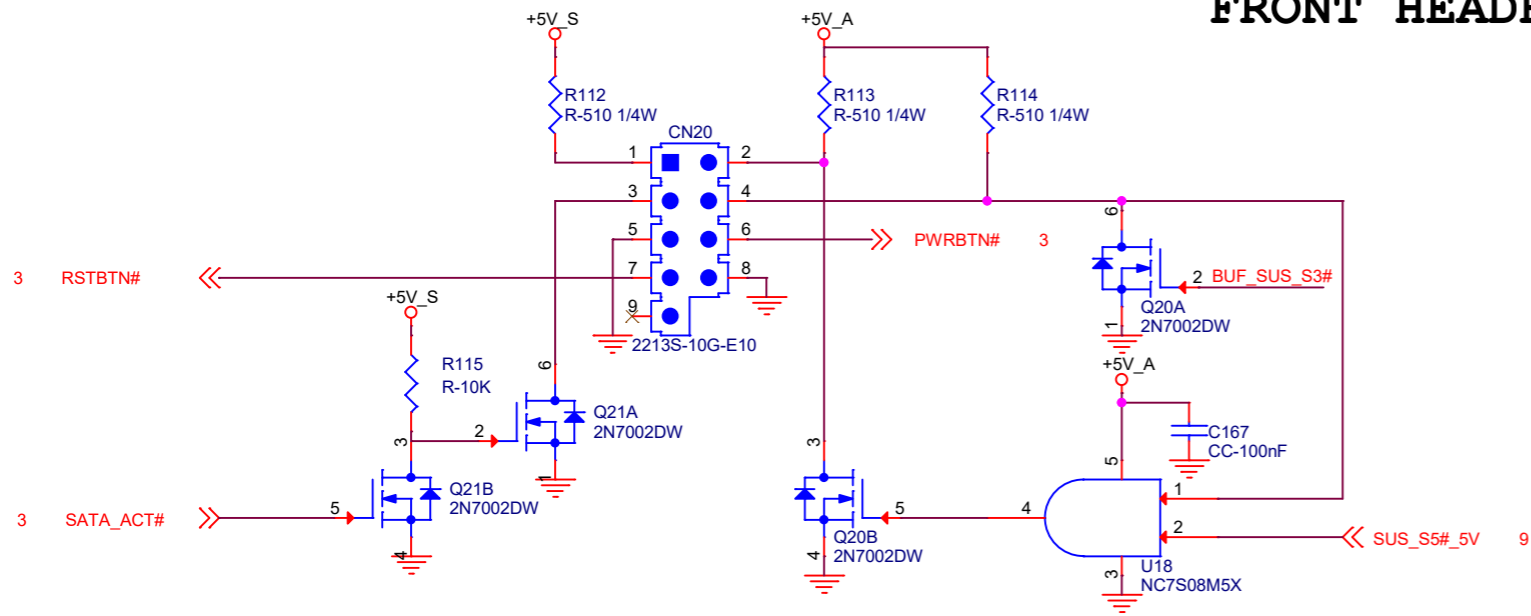


SECO S.p.A.
Via Calamandrei 91
52100 Arezzo
Italy



Schematic Title 3.5" Q7 2.0 CARRIER BOARD		Created
Size A3	Page Name POWER	Rev 03
Date: Wednesday, October 02, 2019	Sheet 9	of 13

FRONT HEADER



NO STUB:
ON THE PCB, REALIZE A 3-PADS COMPONENT

NO STUB:
ON THE PCB, REALIZE A 3-PADS COMPONENT

SECO S.p.A.
Via Calamandrei 91
52100 Arezzo
Italy

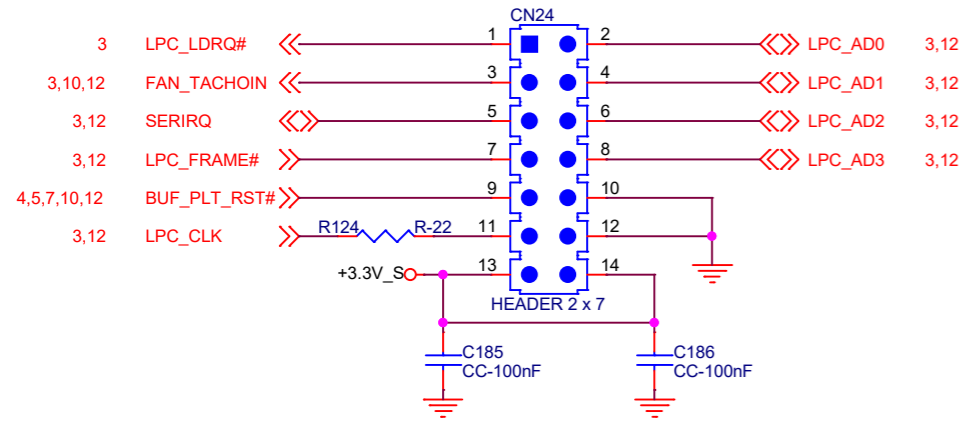


Schematic Title: 3.5" Q7 2.0 CARRIER BOARD
Created: _____

Size: A3
Page Name: GLUE FRONT BAT CLOCK BUFF
Rev: 03

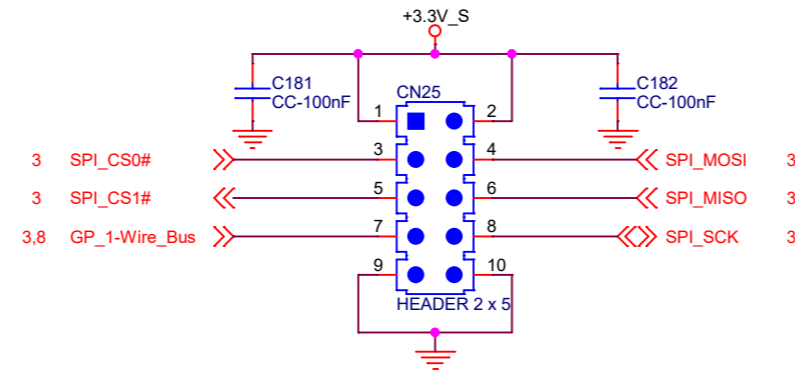
Date: Wednesday, October 02, 2019
Sheet: 10 of 13

LPC Test connector

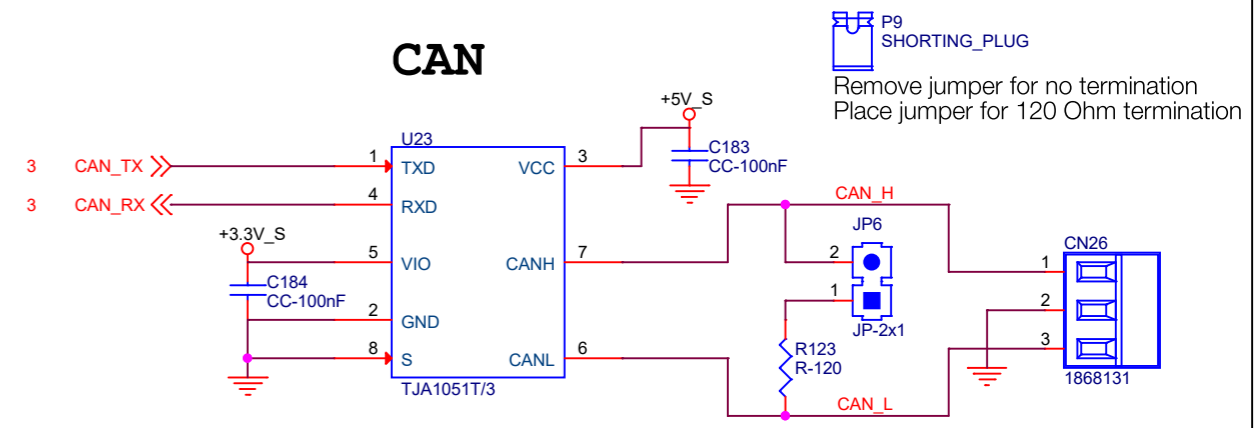


MAKE A RAMIFICATION ON LPC_CLK

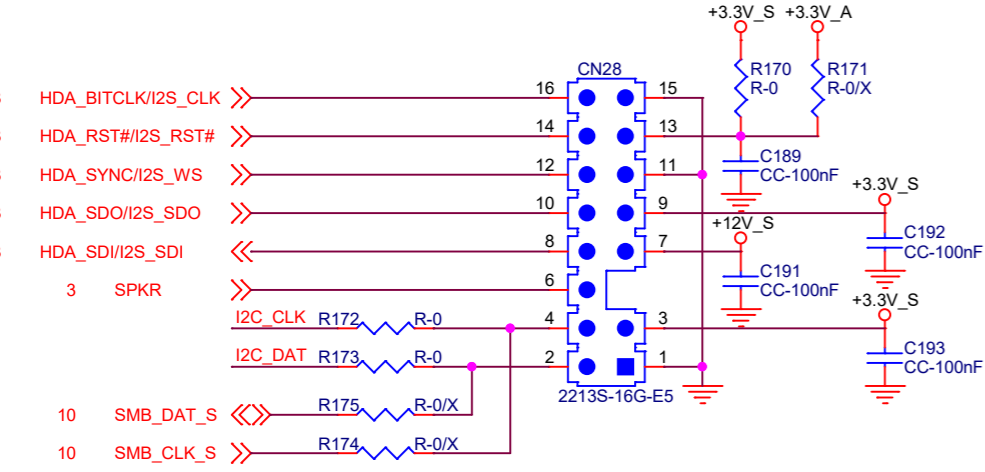
SPI CONNECTOR



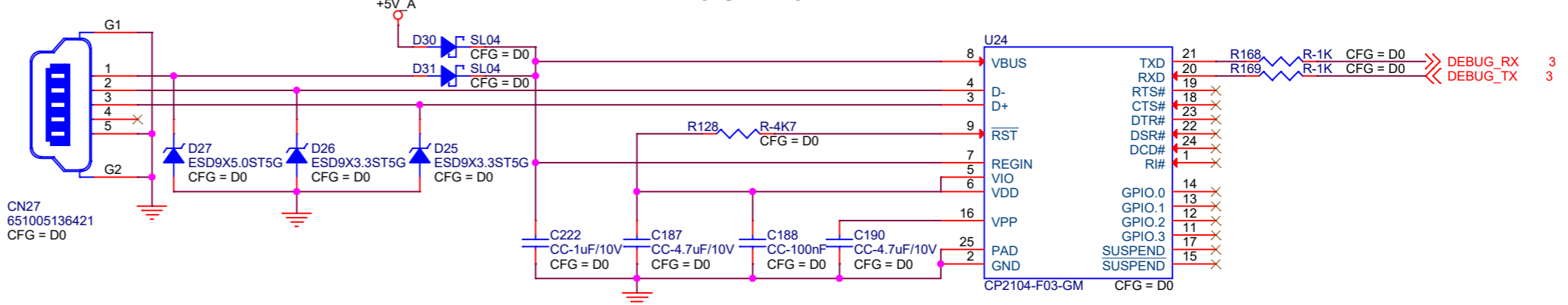
CAN



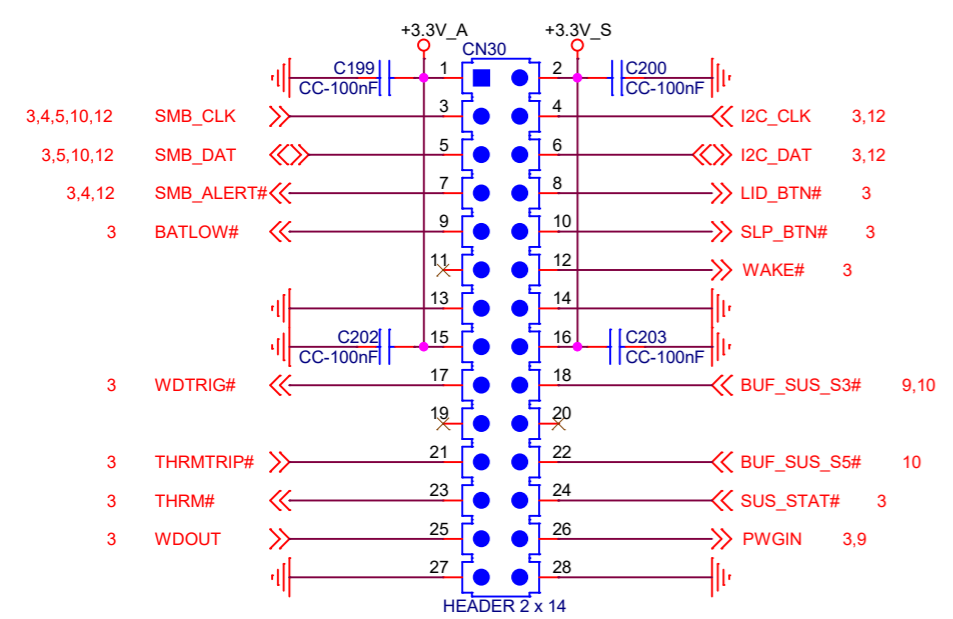
HDA CONNECTOR



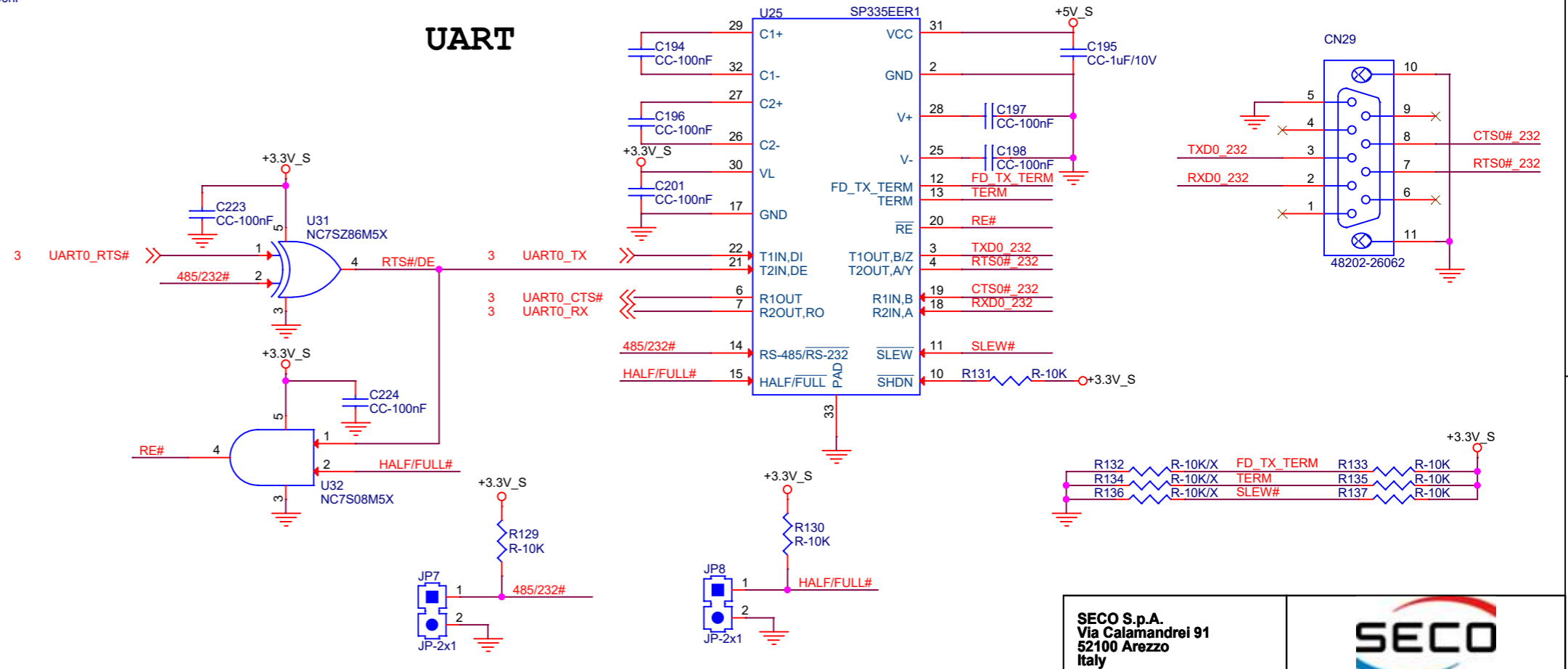
DEBUG PORT



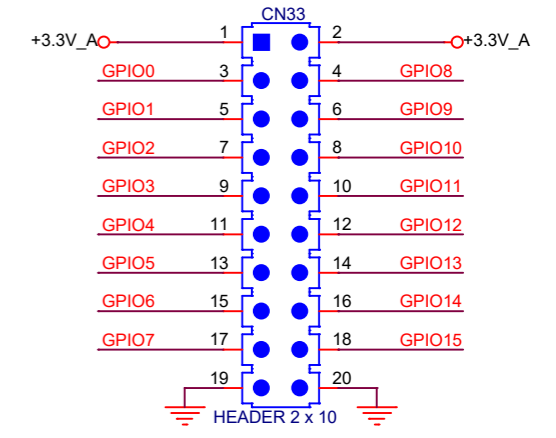
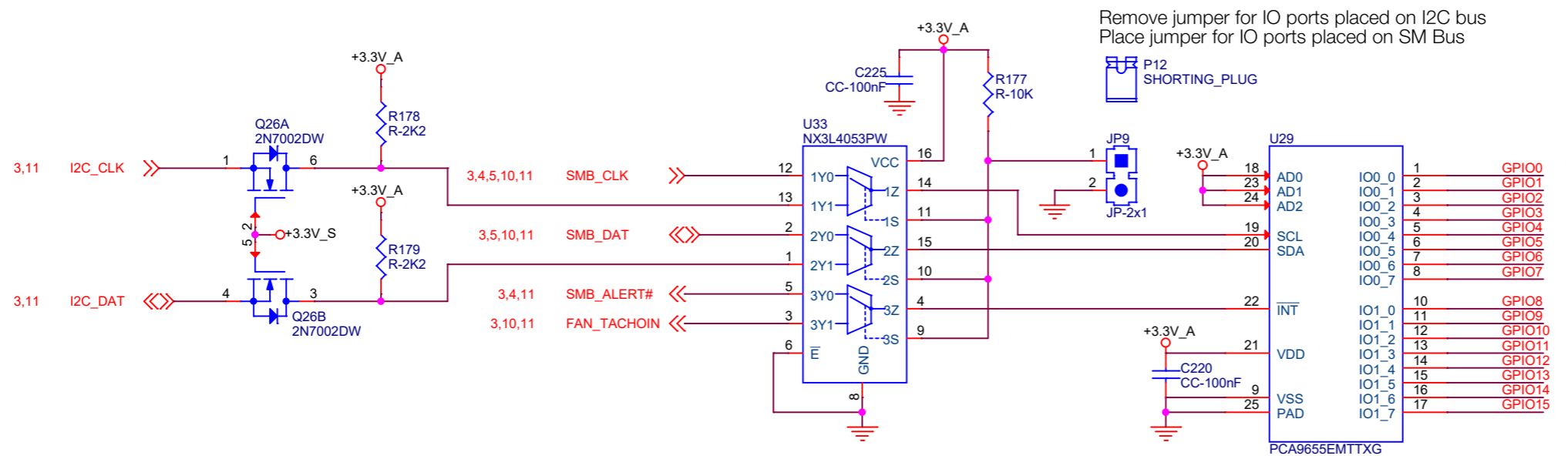
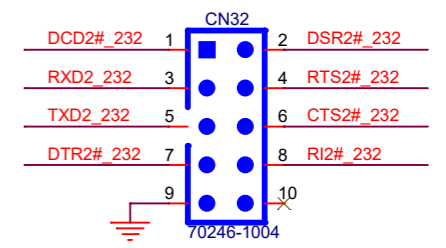
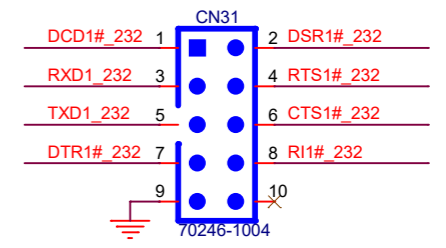
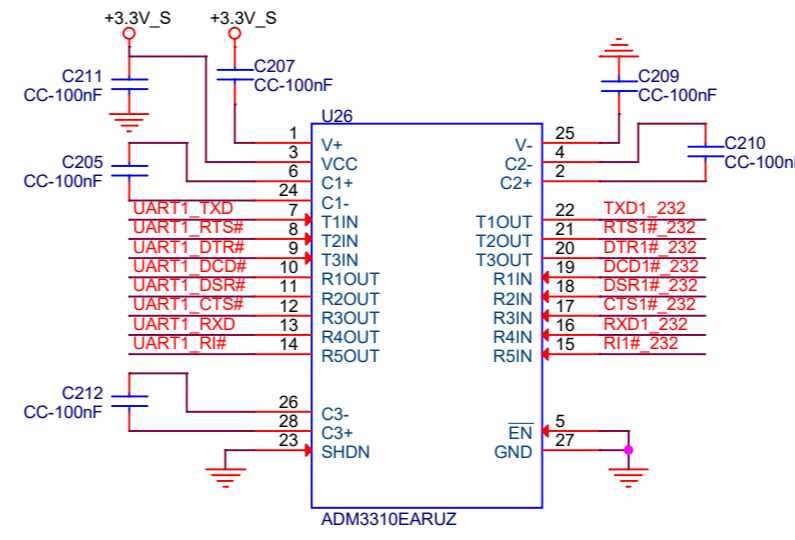
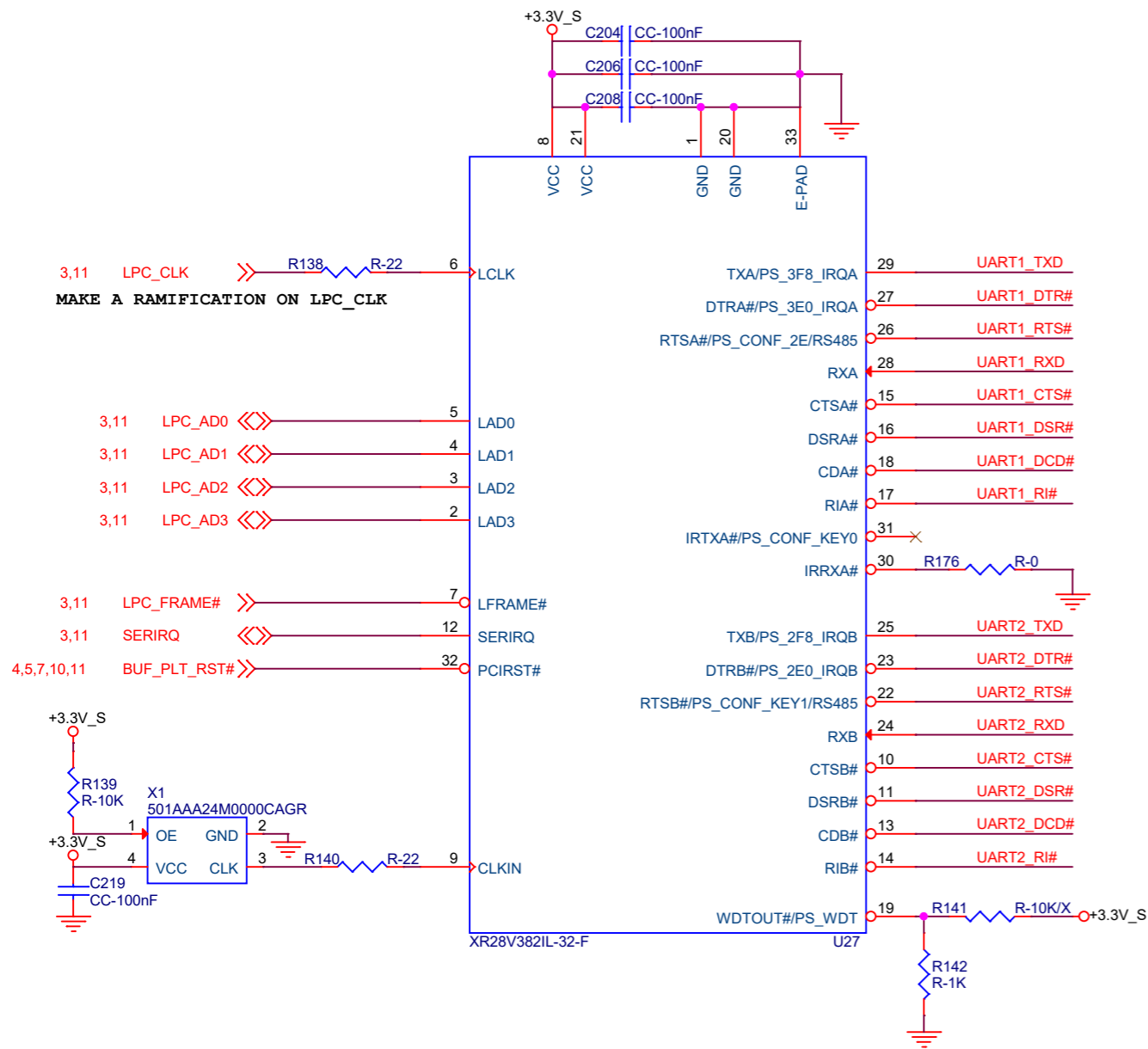
FEATURE CONNECTOR



UART



SECO S.p.A. Via Calamandrei 91 52100 Arezzo Italy			
Schematic Title 3.5" Q7 2.0 CARRIER BOARD			Created
Size A3	Page Name UART SPI LPC CAN HDA	Rev 03	
Date: Wednesday, October 02, 2019		Sheet 11 of 13	




REVISION HISTORY

REV. 02

SPI Pin Header CN25 mirrored
Q2, Q6, Q13 p/n updated
CN27 p/n updated

REV. 03

U12, U34 logical gate symbol corrected

SECO S.p.A. Via Calamandrei 91 52100 Arezzo Italy			
Schematic Title 3.5" Q7 2.0 CARRIER BOARD		Created	
Size A3	Page Name REVISION HISTORY	Rev 03	
Date: Wednesday, October 02, 2019		Sheet 13 of 13	