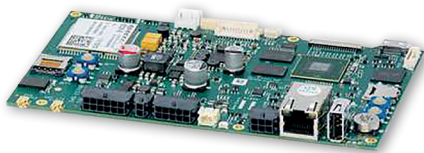




## SBC-SANTVEND-MX6

Single Board Computer (SBC) based on NXP i.MX6 processor

### Vending / IOT platform with 3G / 4G modem and MDB interfaces



#### HIGHLIGHTS

<b>CPU</b> NXP i.MX 6 Dual	<b>CONNECTIVITY</b> 100MbE, USB, RS232, CAN, MDB
<b>GRAPHICS</b> GC320 & GC355 2D accelerator + GC2000 3D accelerator	<b>MEMORY</b> Soldered on Board DDR3L memory



yocto  
PROJECT

#### MAIN FIELDS OF APPLICATION



Coffee & Vending



Transportation



Digital Signage

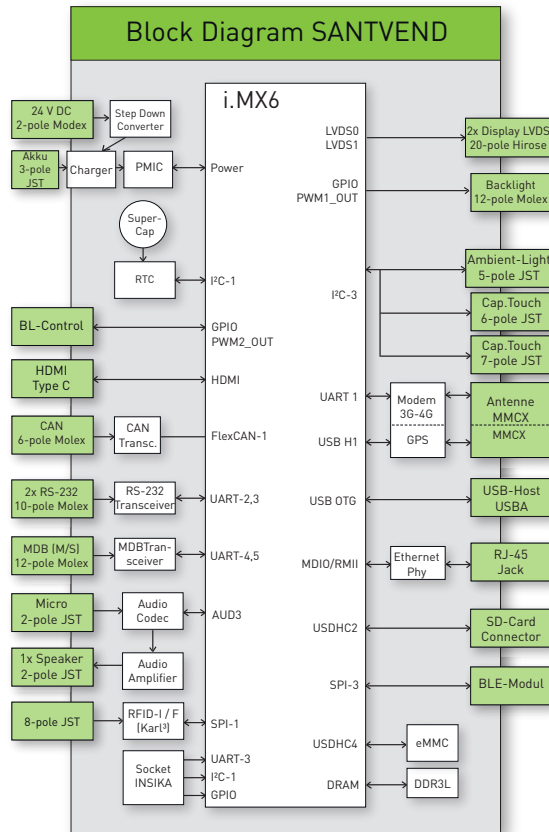
#### FEATURES

<b>Processor</b>	NXP i.MX 6 Dual up to 1 GHz; based on Arm® Cortex®-A9 cores	<b>Power Supply</b>	10 ÷ 42 V <sub>DC</sub>
<b>Memory</b>	2 GB 32 bit DDR3L	<b>Operating System</b>	Yocto
<b>Graphics</b>	Integrated Graphics, with up to 3 separate HW accelerators for 2D, OpenGL® ES2.0 3D OpenVG™ accelerator HW encoding of MPEG-4, H.263 V2, H.264, MJPEG HW decoding of MPEG-2, VC1, MPEG-4 / XviD, H.263, H.264, DivX	<b>CAN Bus</b>	1x CAN (ISO/DIS 11898)
<b>Video Interfaces</b>	LVDS Single/Dual Channel connector HDMI® interface	<b>Operating Temperature*</b>	0°C ÷ +60°C
<b>Video Resolution</b>	Up to 1920x1080p60, 24bpp	<b>Dimensions</b>	160.0 x 18.0 x 95.0 mm
<b>Mass Storage</b>	eMMC: 4 GB MLC micro SD slot: 4 bit MMC/SDIO/SD/SDHC	*Measured at any point of SECO standard heatspreader for this product, during any and all times (including start-up). Actual temperature will widely depend on application, enclosure and/or environment. Upon customer to consider application-specific cooling solutions for the final system to keep the heatspreader temperature in the range indicated.	
<b>Networking</b>	1x 100MbEthernet 2G/3G/4G GPS Modem BT BLE		
<b>USB</b>	1x USB 2.0 Type-A		
<b>Audio</b>	1x speaker (connector), 1 W RMS (8Ω)		
<b>Serial Ports</b>	1x RS-232		

# SBC-SANTVEND-MX6

Single Board Computer (SBC) based on NXP i.MX6 processor

## BLOCK DIAGRAM



# Streamline and expedite your edge computing implementations

## EDGEHOG OS

A flexible operating system that adapts to your needs, thanks to the customization tool and Docker support. Reliability and security are built-in through a dual-partition system and native integration with Exein's robust AI-based protection.

## DATA ORCHESTRATION

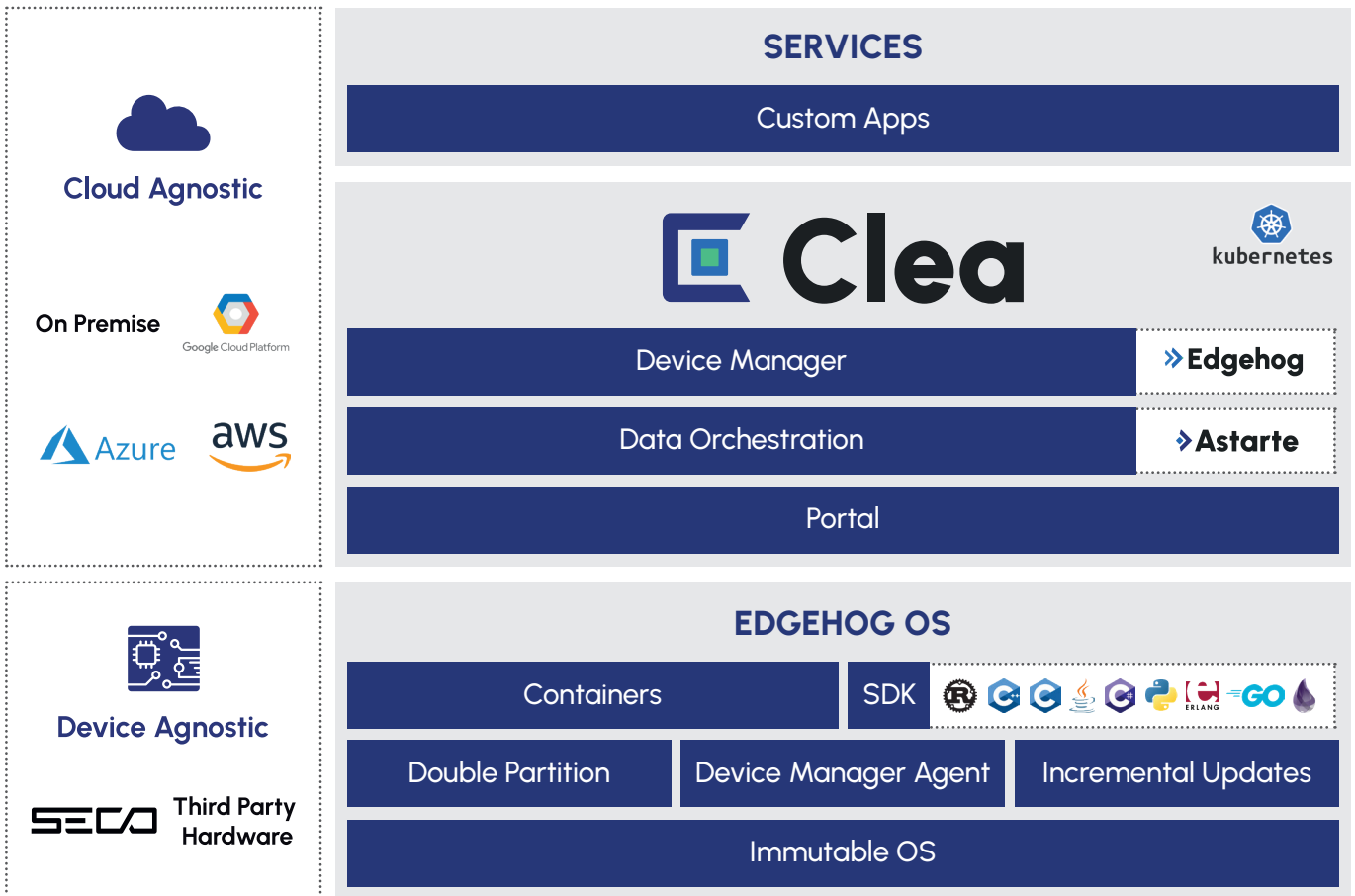
Integrate third-party services, simplify data flows and analysis, and enhance business efficiency by enabling easy and fast utilization of AI.

## DEVICE MANAGER

Update, configure, and manage remote devices. Optimize time and costs to maximize operational efficiency and security without the need for costly field interventions.

## PORTAL

Analyze data from remote devices, customize the user experience with applications tailored to user needs, and manage user rights, company access, and tenant privileges.



Scan to know more about our solution

EDGEHOG OS



CLEA DOCS

