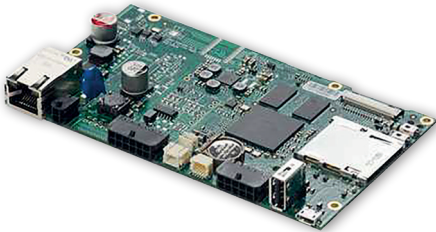




SBC-SANTINO-MX6

Single Board Computer (SBC) based on NXP i.MX6 processor

Optimized SBC for medium sized HMI solutions



HIGHLIGHTS

CPU NXP i.MX 6 Family	CONNECTIVITY 1x 100MbE, 2x USB, 2x RS232, RS485, CAN
GRAPHICS GC320 2D accelerator + GC880 3D accelerator	MEMORY Soldered on Board DDR3L memory



yocto
PROJECT

MAIN FIELDS OF APPLICATION



Medical



Industrial
Automation



Smart Devices



Digital Signage

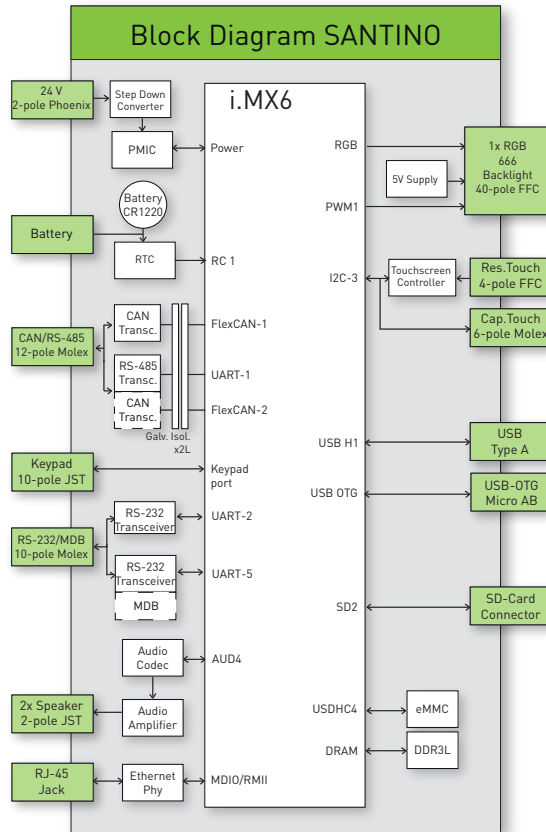
FEATURES

Processor	NXP i.MX 6 Family, based on Arm® CORTEX-A9 processors: i.MX6S Solo - Single core up to 1 GHz i.MX6DL Dual Life - Dual core up to 1 GHz per core	Operating System	Yocto
Memory	1 GB 32 bit LPDDR4	CAN Bus	1x CAN (ISO/DIS 11898)
Graphics	2D graphics accelerator OpenGL® ES 2.0 3D graphics accelerator with a shader	Operating Temperature*	0°C ÷ +60°C
Video Interfaces	18-bit parallel RGB interface	Dimensions	138.0 x 18.0 x 80.0 mm
Video Resolution	Up to 1024 x 600, 18bpp	*Measured at any point of SECO standard heatspreader for this product, during any and all times (including start-up). Actual temperature will widely depend on application, enclosure and/or environment. Upon customer to consider application-specific cooling solutions for the final system to keep the heatspreader temperature in the range indicated.	
Mass Storage	eMMC: 4 GB MLC SD slot: 4 bit MMC/SDIO/SD/SDHC		
Networking	1x 100MbEthernet		
USB	1x USB 2.0 OTG micro-AB 1x USB 2.0 Type-A		
Audio	1x speaker (connector), 1 W RMS (8Ω) parallel to internal speaker		
Serial Ports	2x RS-232, RS-485		
Power Supply	9 ÷ 32 V _{dc}		

SBC-SANTINO-MX6

Single Board Computer (SBC) based on NXP i.MX6 processor

BLOCK DIAGRAM



Streamline and expedite your edge computing implementations

EDGEHOG OS

A flexible operating system that adapts to your needs, thanks to the customization tool and Docker support. Reliability and security are built-in through a dual-partition system and native integration with Exein's robust AI-based protection.

DATA ORCHESTRATION

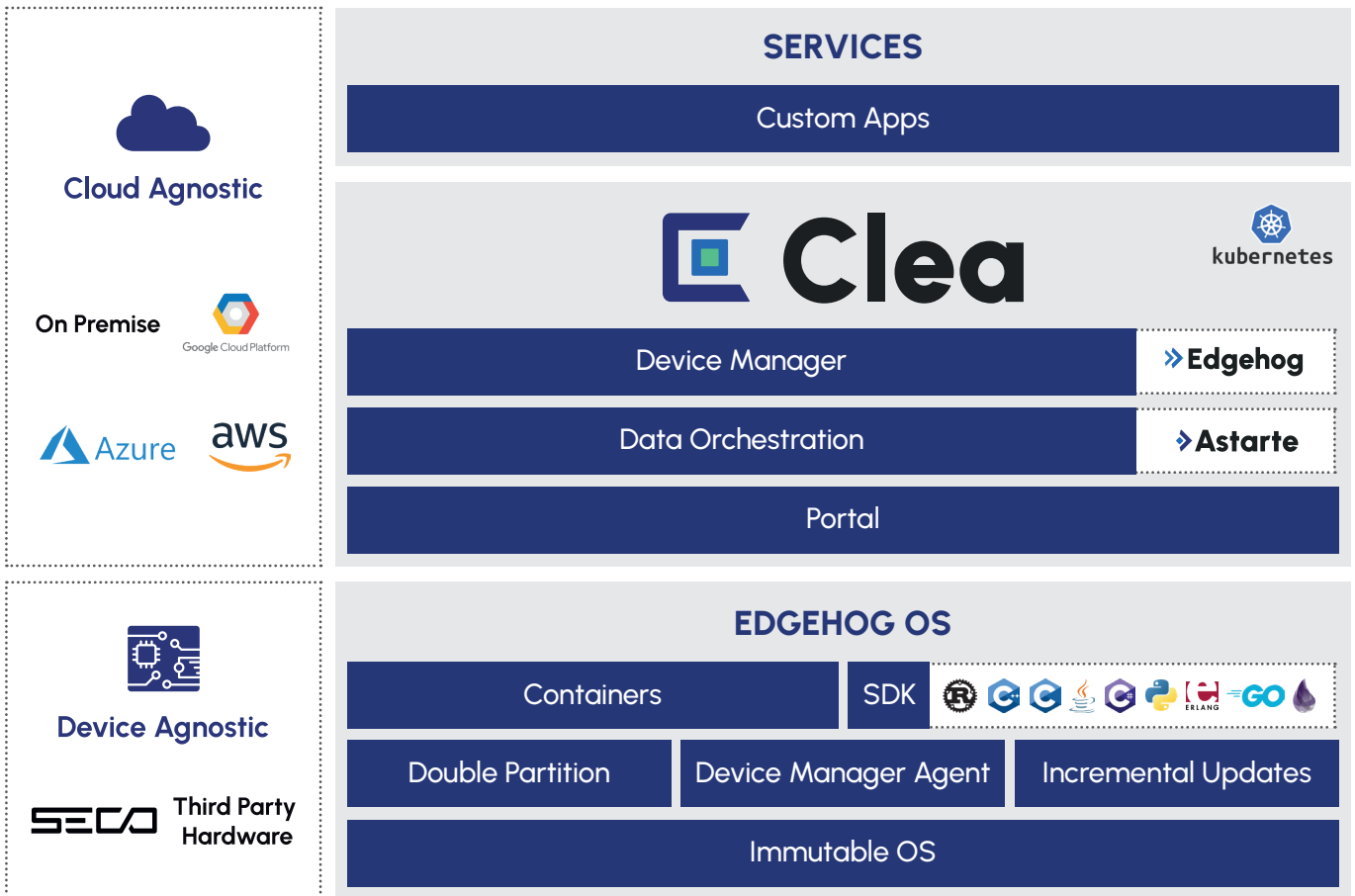
Integrate third-party services, simplify data flows and analysis, and enhance business efficiency by enabling easy and fast utilization of AI.

DEVICE MANAGER

Update, configure, and manage remote devices. Optimize time and costs to maximize operational efficiency and security without the need for costly field interventions.

PORTAL

Analyze data from remote devices, customize the user experience with applications tailored to user needs, and manage user rights, company access, and tenant privileges.



Scan to know more about our solution

EDGEHOG OS



CLEA DOCS

