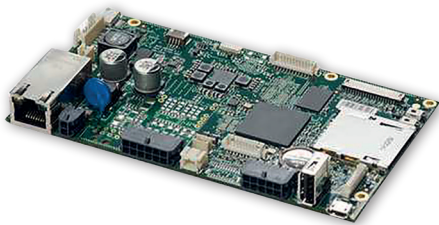




SBC-SANTARO-MX6

Single Board Computer (SBC) based on NXP i.MX6 processor

Flexible, powerful all-rounder for any demanding applications



HIGHLIGHTS

CPU NXP i.MX 6 Family	CONNECTIVITY 1x 100MbE, up to 2x USB, 2x RS232, RS485, CAN
GRAPHICS GC320 & GC355 2D accelerator + GC2000 3D accelerator	MEMORY Soldered on Board DDR3L memory



yocto
PROJECT

MAIN FIELDS OF APPLICATION



Medical



Industrial Automation



Smart Devices



Digital Signage

FEATURES

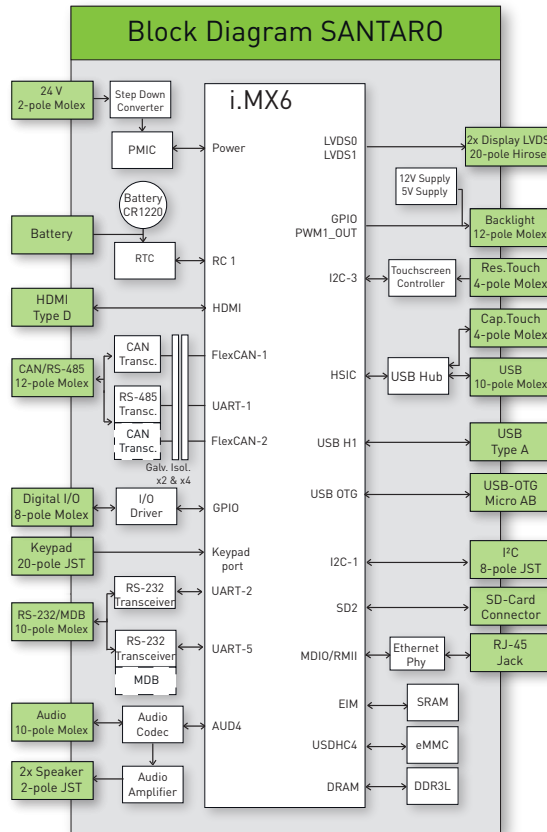
Processor	NXP i.MX 6 Family based on Arm® Cortex®-A9 cores : i.MX 6 Quad – Full featured, 4x Cortex®-A9 cores up to 1.0GHz i.MX 6 Dual – Full featured, 4x Cortex®-A9 cores up to 1.0GHz i.MX 6 Single – Full featured, 4x Cortex®-A9 cores up to 1.0GHz	Audio	1x speaker (connector), 1 W RMS (8Ω) parallel to internal speaker
Memory	1 GB 64 bit DDR3L	Serial Ports	2x RS-232, RS-485
Graphics	Integrated Graphics, with up to 3 separate HW accelerators for 2D, OpenGL® ES2.0 3D OpenVG™ accelerator HW encoding of MPEG-4, H.263 V2, H.264, MJPEG HW decoding of MPEG-2, VC1, MPEG-4 / XviD, H.263, H.264, DivX	Other Interfaces	2x Digital Input, 2x Digital Output
Video Interfaces	LVDS Single/Dual Channel connector HDMI® interface	Power Supply	9 ÷ 32 V _{DC}
Video Resolution	Up to 1920x1080p60, 24bpp	Operating System	Yocto
Mass Storage	eMMC: 4 GB MLC SD slot: 4 bit MMC/SDIO/SD/SDHC	CAN Bus	1x CAN (ISO/DIS 11898)
Networking	1x 100MbEthernet	Operating Temperature*	0°C ÷ +60°C
USB	1x USB 2.0 OTG micro-AB 1x USB 2.0 Type-A	Dimensions	159.0 x 18.0 x 80.0 mm

*Measured at any point of SECO standard heatspreader for this product, during any and all times (including start-up). Actual temperature will widely depend on application, enclosure and/or environment. Upon customer to consider application-specific cooling solutions for the final system to keep the heatspreader temperature in the range indicated.

SBC-SANTARO-MX6

Single Board Computer (SBC) based on NXP i.MX6 processor

BLOCK DIAGRAM



Streamline and expedite your edge computing implementations

EDGEHOG OS

A flexible operating system that adapts to your needs, thanks to the customization tool and Docker support. Reliability and security are built-in through a dual-partition system and native integration with Exein's robust AI-based protection.

DATA ORCHESTRATION

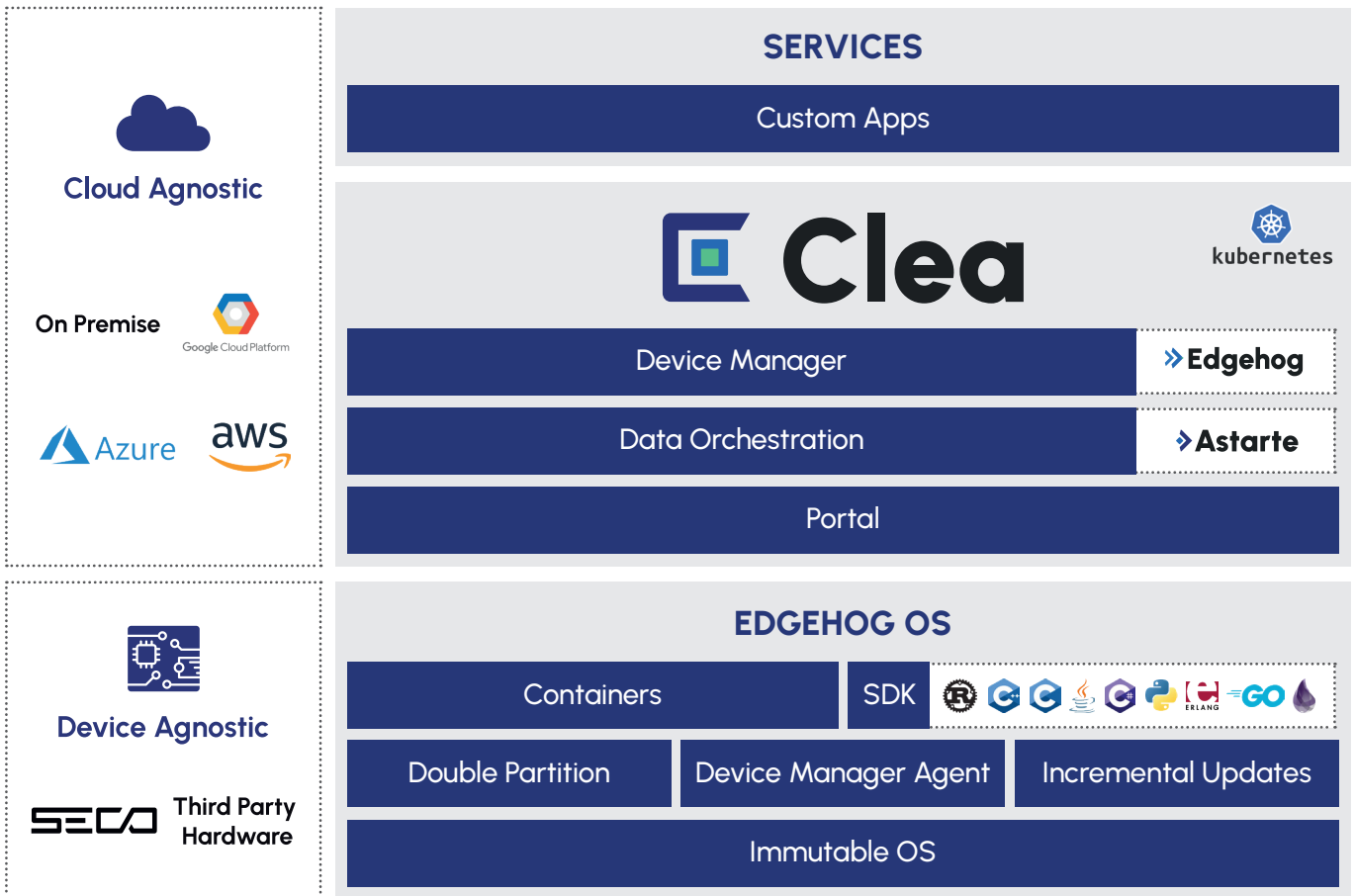
Integrate third-party services, simplify data flows and analysis, and enhance business efficiency by enabling easy and fast utilization of AI.

DEVICE MANAGER

Update, configure, and manage remote devices. Optimize time and costs to maximize operational efficiency and security without the need for costly field interventions.

PORTAL

Analyze data from remote devices, customize the user experience with applications tailored to user needs, and manage user rights, company access, and tenant privileges.



Scan to know more about our solution

EDGEHOG OS



CLEA DOCS

