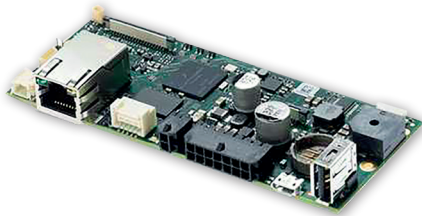




SBC-NALLINO-MX6ULL

Single Board Computer (SBC) based on NXP i.MX6ULL processor

Optimized SBC for small sized HMI solutions



HIGHLIGHTS

CPU
NXP i.MX 6ULL

CONNECTIVITY
1x 100MbE, 2x USB, RS232, RS485, CAN

MEMORY
Soldered on Board DDR3L memory



yocto
PROJECT

MAIN FIELDS OF APPLICATION



Medical



Industrial
Automation



Smart Devices

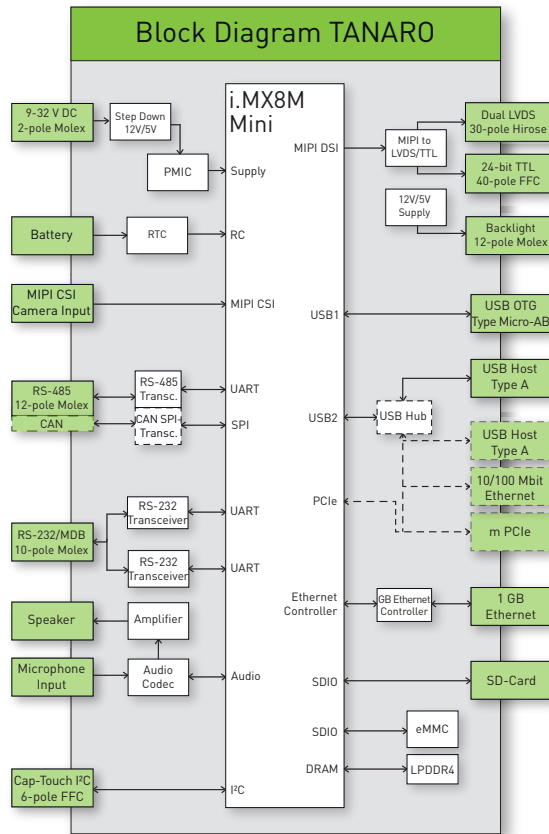
FEATURES

Processor	NXP i.MX 6 Family, based on Arm® CORTEX-A7 processors: i.MX6ULL 792 MHz	Operating System	Yocto
Memory	512 MB 32 bit DDR3L	CAN Bus	1x CAN (ISO/DIS 11898)
Video Interfaces	24-bit parallel RGB interface	Operating Temperature*	0°C ÷ +60°C
Video Resolution	Up to 1024 x 600, 24bpp	Dimensions	113.0 x 18.0 x 47.0 mm
Mass Storage	eMMC: 4 GB MLC micro SD slot: 4 bit MMC/SDIO/SD/SDHC	*Measured at any point of SECO standard heatspreader for this product, during any and all times (including start-up). Actual temperature will widely depend on application, enclosure and/or environment. Upon customer to consider application-specific cooling solutions for the final system to keep the heatspreader temperature in the range indicated.	
Networking	1x 100MbEthernet		
USB	1x USB 2.0 OTG micro-AB 1x USB 2.0 Type-A		
Audio	1x speaker (connector), internal buzzer		
Serial Ports	RS-232, RS-485		
Power Supply	9 ÷ 32 V _{DC}		

SBC-TANARO-MX8M-Mini

Single Board Computer (SBC) based on NXP i.MX8M Mini processor

BLOCK DIAGRAM



Streamline and expedite your edge computing implementations

EDGEHOG OS

A flexible operating system that adapts to your needs, thanks to the customization tool and Docker support. Reliability and security are built-in through a dual-partition system and native integration with Exein's robust AI-based protection.

DATA ORCHESTRATION

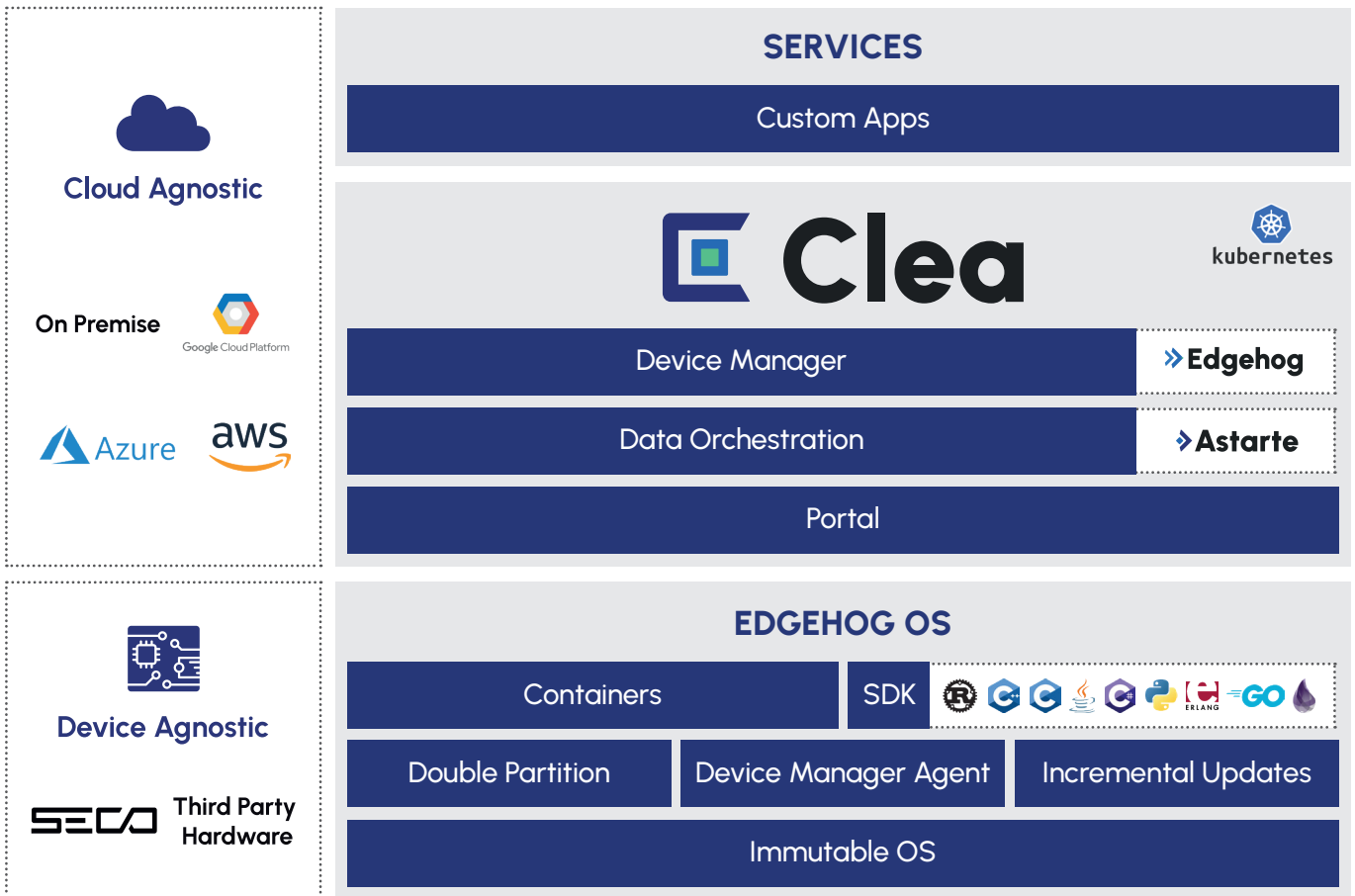
Integrate third-party services, simplify data flows and analysis, and enhance business efficiency by enabling easy and fast utilization of AI.

DEVICE MANAGER

Update, configure, and manage remote devices. Optimize time and costs to maximize operational efficiency and security without the need for costly field interventions.

PORTAL

Analyze data from remote devices, customize the user experience with applications tailored to user needs, and manage user rights, company access, and tenant privileges.



Scan to know more about our solution

EDGEHOG OS



CLEA DOCS

