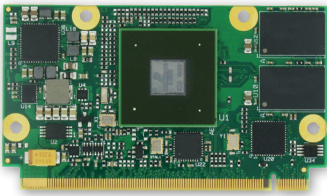




SOM-uQ7-MX6

μQseven® standard module with NXP i.MX 6 Processor

Optimal balance of performance and size



HIGHLIGHTS



CPU
Single-, Dual- and Quad- Core (Arm® Cortex® -A9 Cores)



CONNECTIVITY
4x USB 2.0; 2x Serial ports; CAN Bus



GRAPHICS
2D/3D dedicated graphics processors



MEMORY
up to 2GB DDR3L on-board

Available in Industrial Temperature Range



MAIN FIELDS OF APPLICATION



Medical



Industrial Automation



Smart Devices

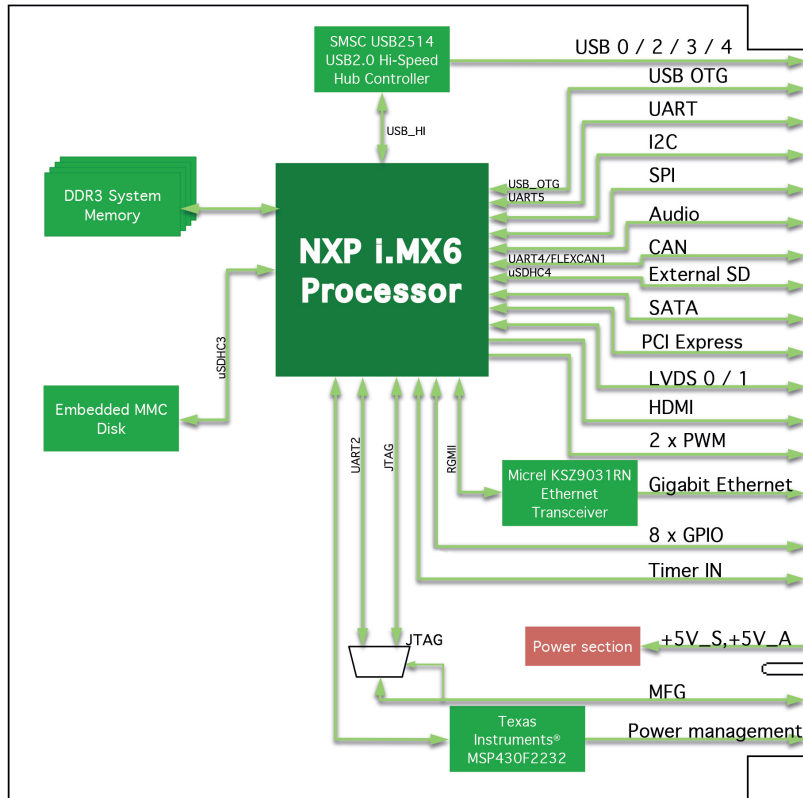
FEATURES

Processor	NXP i.MX 6 Family, based on Arm® CORTEX-A9 processors - i.MX6S Solo - Single core up to 1GHz - i.MX6DL Dual Lite - Dual core up to 1GHz per core - i.MX6D Dual - Dual core up to 1GHz per core - i.MX6Q Quad - Quad core up to 1GHz per core	Audio	I2S / AC'97 Audio interface
Max Cores	4	Serial Ports	2 x Serial ports (TTL interface) CAN port interface
Memory	Up to 2GB DDR3L on-board (up to 1GB with i.MX6S)	Other Interfaces	I2C Bus SM Bus Power Management Signals
Graphics	Dedicated 2D Hardware accelerator Dedicated 3D Hardware accelerator, supports OpenGL® ES2.0 3D Dedicated Vector Graphics accelerator supports OpenVG™ (only i.MX6D and i.MX6Q) Supports up to 3 independent displays with i.MX6D and i.MX6Q Supports 2 independent displays with i.MX6DL and i.MX6S	Power Supply	+5V _{DC} ± 5%
Video Interfaces	1 x LVDS Dual Channel or 2 x LVDS Single Channel 18 / 24 bit interface HDMI® Interface 1.4	Operating System	Linux Yocto
Video Resolution	LVDS up to 1920x1200 HDMI® up to 1080p	Operating Temperature*	0°C ÷ +60°C (Commercial version) -40°C ÷ +85°C (Industrial version)
Mass Storage	Up to 8 GB eMMC drive soldered on-board SD / MMC / SDIO interface 1 x External SATA Channel (only available with i.MX6D and i.MX6Q)	Dimensions	40 x 70 mm (1.57" x 2.76")
Networking	Gigabit Ethernet interface	*Measured at any point of SECO standard heatspreader for this product, during any and all times (including start-up). Actual temperature will widely depend on application, enclosure and/or environment. Upon customer to consider application-specific cooling solutions for the final system to keep the heatspreader temperature in the range indicated.	
USB	1 x USB OTG interface 4 x USB 2.0 Host interfaces		
PCI-e	1 x PCI-e x1 lane (only PCI-e 1.1 and Gen2 are supported)		

SOM-uQ7-MX6

µQseven® standard module with NXP i.MX 6 Processor

BLOCK DIAGRAM



Information subject to change. Please visit www.edge.seco.com to find the latest version of this datasheet

Streamline and expedite your edge computing implementations

EDGEHOG OS

A flexible operating system that adapts to your needs, thanks to the customization tool and Docker support. Reliability and security are built-in through a dual-partition system and native integration with Exein's robust AI-based protection.

DATA ORCHESTRATION

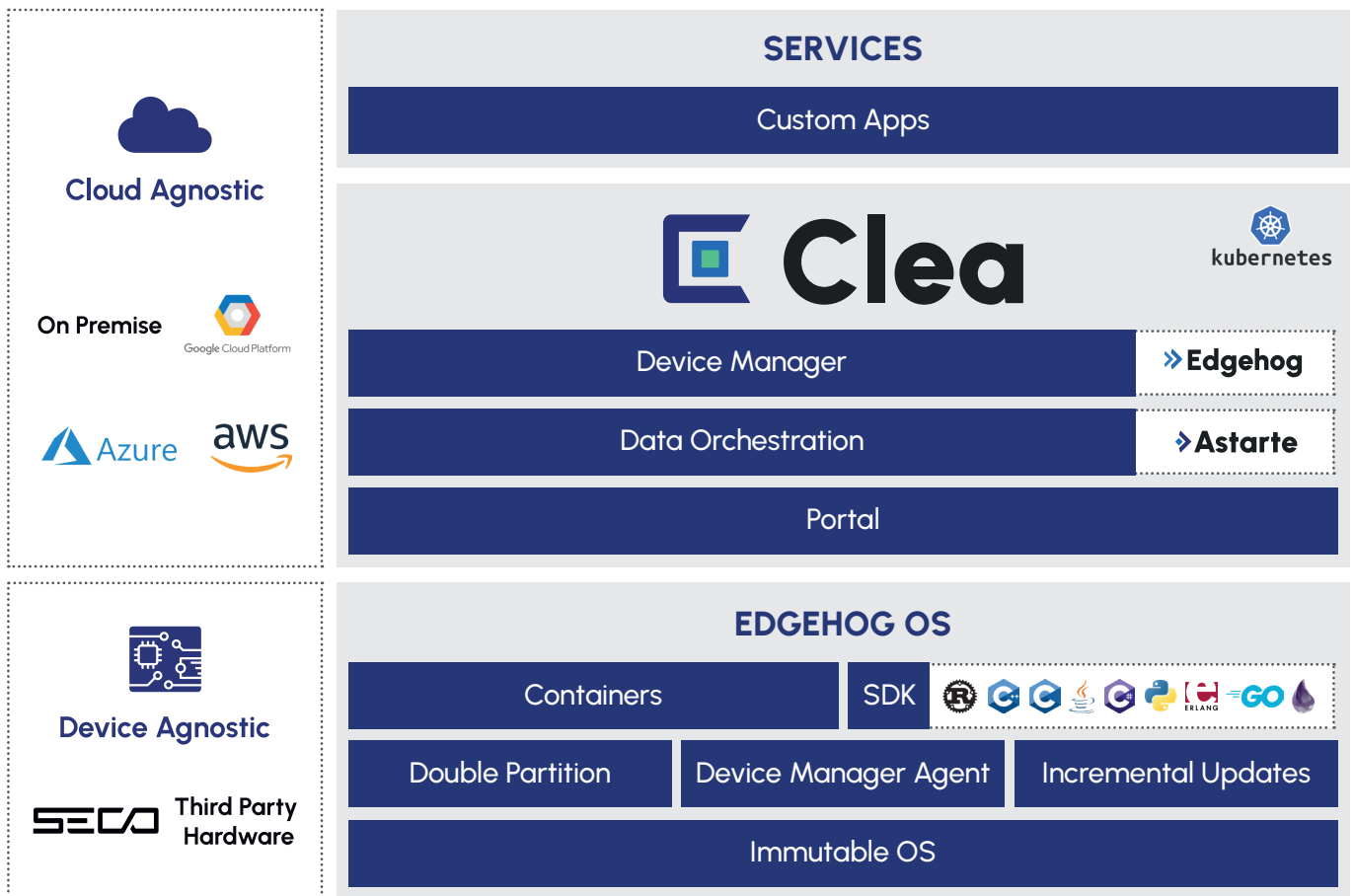
Integrate third-party services, simplify data flows and analysis, and enhance business efficiency by enabling easy and fast utilization of AI.

DEVICE MANAGER

Update, configure, and manage remote devices. Optimize time and costs to maximize operational efficiency and security without the need for costly field interventions.

PORTAL

Analyze data from remote devices, customize the user experience with applications tailored to user needs, and manage user rights, company access, and tenant privileges.



Scan to know more about our solution

EDGEHOG OS



CLEA DOCS

