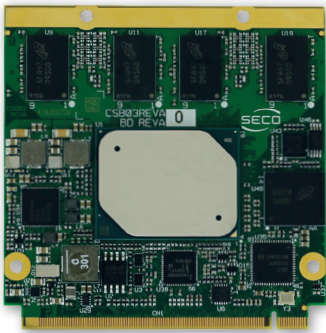




SOM-Q7-APL

Qseven® Rel. 2.1 compliant module with Intel® Atom® X Series, Intel® Celeron® J / N Series and Intel® Pentium® N Series (Codename: Apollo Lake) Processors

High graphics performance and extreme temperature for low power designs



HIGHLIGHTS



CPU

Intel® Atom® X Series, Intel® Celeron® J / N Series and Intel® Pentium® N Series



CONNECTIVITY

2x USB 3.0; 4x PCI-e; 6x USB 2.0



GRAPHICS

Intel® HD Graphics 500 series controller with up to 18 Execution Units



MEMORY

up to 8GB Dual-Channel DDR3L-1866

Available in Industrial Temperature Range



MAIN FIELDS OF APPLICATION



Medical



Transportation



Industrial Automation



Smart Devices



Digital Signage




FEATURES

Processor	Intel® Atom® x5-E3930 Dual Core @1.3 GHz (Burst 1.8GHz), 2MB L2 Cache, 6.5W TDP Intel® Atom® x5-E3940 Quad Core @1.6 GHz (Burst 1.8GHz), 2MB L2 Cache, 9.5W TDP Intel® Atom® x7-E3950 Quad Core @1.6 GHz (Burst 2.0GHz), 2MB L2 Cache, 12W TDP Intel® Pentium® N4200 Quad Core @1.1GHz (Burst 2.5GHz), 2MB L2 Cache, 6W TDP Intel® Celeron® N3350 Dual Core @1.1GHz (Burst 2.4GHz), 2MB L2 Cache, 6W TDP Intel® Celeron® J3455 , Quad Core @1.5GHz (Burst 2.3GHz), 2MB L2Cache, 10W TDP Intel® Celeron® J3355 , Dual Core @2.0GHz (Burst 2.5GHz), 2MB L2Cache, 10W TDP	Video Resolution	DP: Up to 4096 x 2160 @60HZ eDP: Up to 3840 x 2160 @60Hz HDMI®: Up to 3840 x 2160 @30Hz LVDS, VGA: Up to 1920 x 1200 @ 60Hz
Max Cores	4	Mass Storage	Optional eMMC 5.0 drive soldered on-board 2 x external S-ATA Gen3 Channels SD interface
Max Thread	4	Networking	Gigabit Ethernet interface Intel® I210 or I211 Controller (MAC + PHY)
Memory	Dual Channel Soldered Down DDR3L-1866 memory, up to 8GB	USB	6 x USB 2.0 Host Ports 2 x USB 3.0 Host Ports (*) (*) Second USB 3.0 Host port can be exploited only using Qseven® Rel. 2.1 compliant Carrier boards
Graphics	Integrated Intel® HD Graphics 500 series controller with up to 18 Execution Units Three independent displays supported HW decoding of HEVC(H.265), H.264, MVC, VP8, VP9, MPEG2, VC-1, WMV9, JPEG/MJPEG formats HW encoding of HEVC(H.265), H.264, MVC, VP8, VP9 and JPEG/MPEG formats	PCI-e	4 x PCI-e Root Ports (including the PCI-e port used for Gigabit Ethernet controller)
Video Interfaces	eDP interface or Single/Dual Channel 18/24bit LVDS interface HDMI® or DP++ interface	Audio	HD Audio interface
		Serial Ports	1 x UART, TTL interface
		Other Interfaces	I2C Bus LPC Bus SM Bus SPI interface Watch Dog Timer Thermal / FAN management Power Management Signals
		Power Supply	+5V _{DC} and +5V _{SB} (optional)

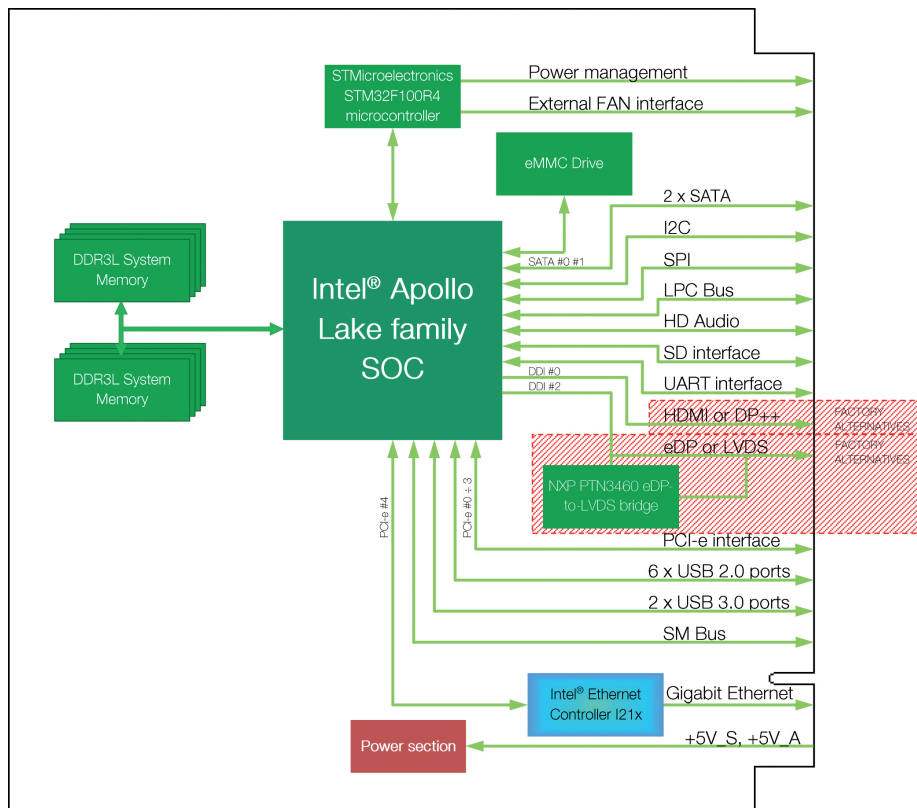
SOM-Q7-APL

Qseven® Rel. 2.1 compliant module with Intel® Atom® X Series, Intel® Celeron® J / N Series and Intel® Pentium® N Series (Codename: Apollo Lake) Processors

FEATURES

	Operating System	Microsoft® Windows 10 Enterprise (64 bit) Microsoft® Windows 10 IoT Core Linux Yocto (64 bit)	*Measured at any point of SECO standard heatspreader for this product, during any and all times (including start-up). Actual temperature will widely depend on application, enclosure and/or environment. Upon customer to consider application-specific cooling solutions for the final system to keep the heatspreader temperature in the range indicated.
	Operating Temperature*	0°C ÷ +60°C (Commercial version) -40°C ÷ +85°C (Industrial version)	
	Dimensions	70 x 70 mm (2.76" x 2.76")	

BLOCK DIAGRAM



Information subject to change. Please visit www.seco.com to find the latest version of this datasheet

2/28/23

Streamline and expedite your edge computing implementations

EDGEHOG OS

A flexible operating system that adapts to your needs, thanks to the customization tool and Docker support. Reliability and security are built-in through a dual-partition system and native integration with Exein's robust AI-based protection.

DATA ORCHESTRATION

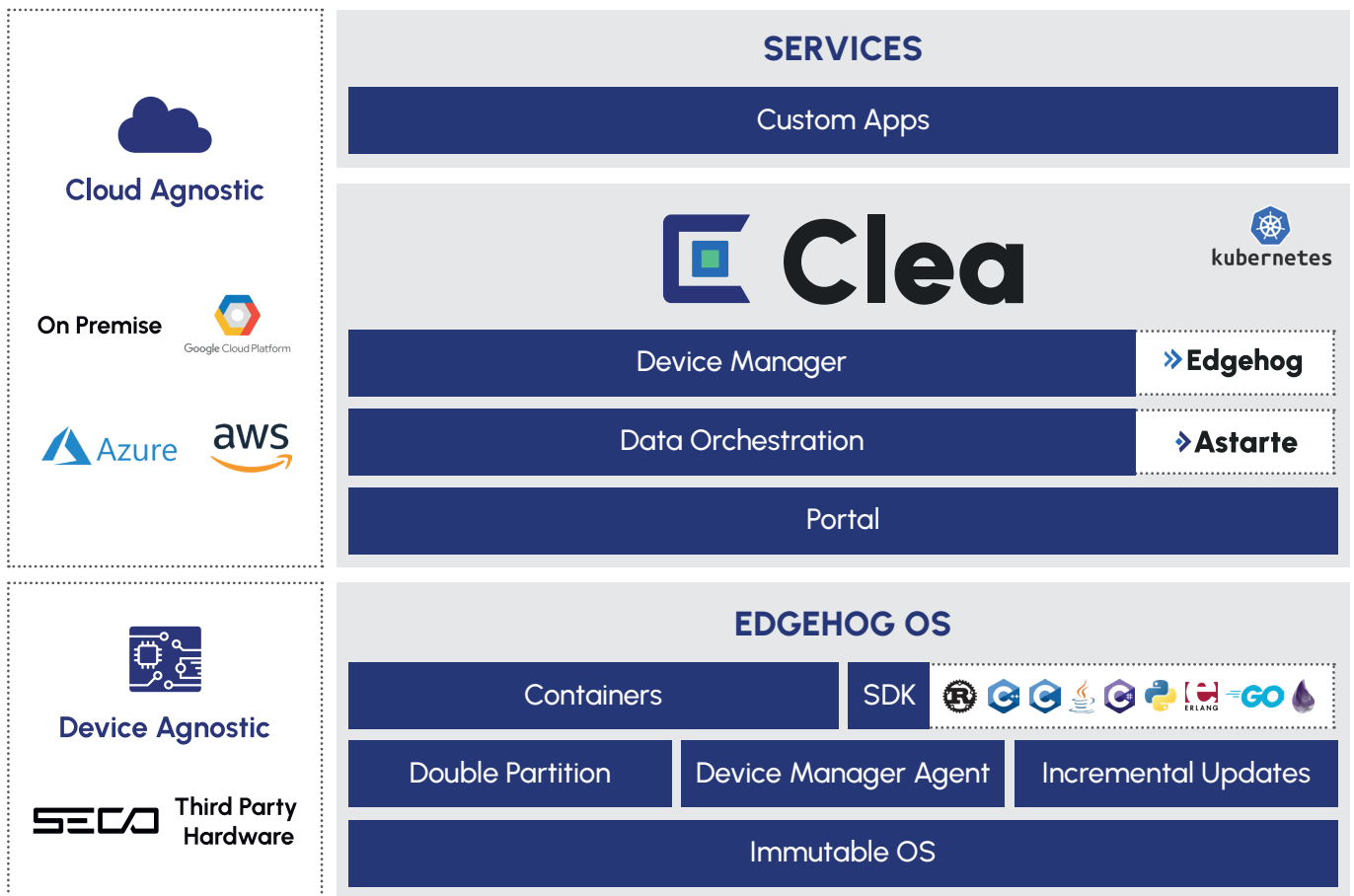
Integrate third-party services, simplify data flows and analysis, and enhance business efficiency by enabling easy and fast utilization of AI.

DEVICE MANAGER

Update, configure, and manage remote devices. Optimize time and costs to maximize operational efficiency and security without the need for costly field interventions.

PORTAL

Analyze data from remote devices, customize the user experience with applications tailored to user needs, and manage user rights, company access, and tenant privileges.



Scan to know more about our solution

EDGEHOG OS



CLEA DOCS

