



Tanaro Vision 7 PM MX8M-Mini

7.0 inch Panel Mount HMI based on NXP i.MX8M Mini processor

High performance with low power consumption for edge computing with integrated connectivity and multimedia interface



HIGHLIGHTS



CPU
NXP i.MX 8M Mini Family



CONNECTIVITY
Wifi/BT, 1x GbE, 1x 100MbE, up to 3x USB, 2x RS232, RS485, CAN



GRAPHICS
GC320 2D accelerator + GCNanoUltra 3D accelerator



MEMORY
Soldered on Board LPDDR4 memory



yocto
PROJECT

MAIN FIELDS OF APPLICATION



Medical



Industrial Automation



Smart Devices



Digital Signage

FEATURES

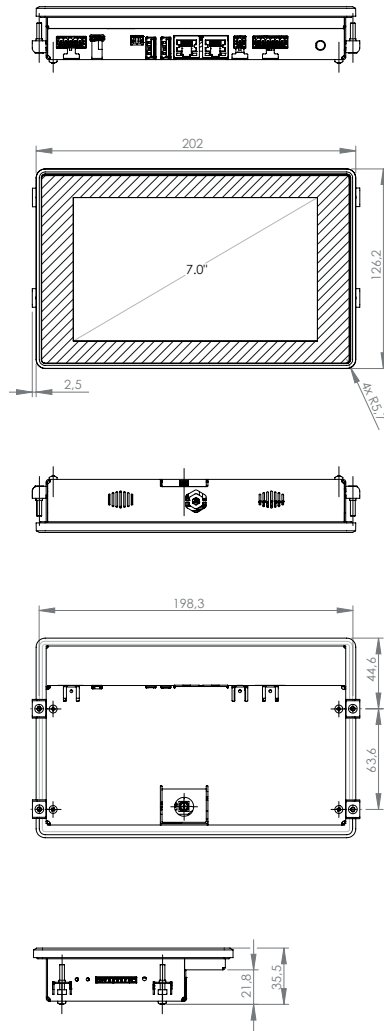
Processor	NXP i.MX 8M Mini Family based on Arm® Cortex®-A53 cores + general purpose Cortex®-M4 400MHz processor: <ul style="list-style-type: none"> i.MX 8M Mini Quad – Full featured, 4x Cortex®-A53 cores up to 1.8GHz i.MX 8M Mini Dual – Full featured, 2x Cortex®-A53 cores up to 1.8GHz i.MX 8M Mini Solo – Full featured, 1x Cortex®-A53 cores up to 1.8GHz i.MX 8M Mini Quad Lite – Full featured, 4x Cortex®-A53 cores up to 1.8GHz i.MX 8M Mini Dual Lite – Full featured, 2x Cortex®-A53 cores up to 1.8GHz i.MX 8M Mini Solo Lite – Full featured, 1x Cortex®-A53 cores up to 1.8GHz 	Networking	1x GbEthernet interfaces 1x 100MbEthernet shielded single band WiFi 802.11 b/g/n with BT 4.0 mPCIe (half size) socket for modems
Memory	1 GB 32 bit LPDDR4	USB	1x USB 2.0 OTG micro-AB up to 2x USB 2.0 Type-A
Graphics	GC320 2D accelerator + GCNanoUltra 3D accelerator Embedded VPU (not for Lite processors), able to offer: VP9, HEVC/H.265, AVC/H.264, VP8 HW Decoding AVC/H.264, VP8 HW encoding OpenGL ES 2.0, OpenVG 1.1 support	Audio	1x speaker (connector), 1 W RMS (8Ω) parallel to internal speaker Digital Mic In connector (2x PDM inputs)
Video Interfaces	MIPI-CSI Camera interface connector	Serial Ports	2x RS-232, RS-485
Video Resolution	7.0 inch LVDS display, resolution 1024x600, LED lifetime typ. 20k hours typ. 420 cd/m ² brightness P-Cap (Projected Capacitive touch screen), with 3.0mm toughened glass cover, RAL 9005	Power Supply	9 ÷ 32 V _{DC}
Mass Storage	eMMC: 4 GB MLC SD slot: 4 bit MMC/SDIO/SD/SDHC	Operating System	Yocto
		CAN Bus	1x CAN (ISO/DIS 11898)
		Operating Temperature*	0°C ÷ +60°C
		Dimensions	202.0 x 126.2 x 35.5 mm

*Measured at any point of SECO standard heatspreader for this product, during any and all times (including start-up). Actual temperature will widely depend on application, enclosure and/or environment. Upon customer to consider application-specific cooling solutions for the final system to keep the heatspreader temperature in the range indicated.

Tanaro Vision 7 PM MX8M-Mini

7.0 inch Panel Mount HMI based on NXP i.MX8M Mini processor

BLOCK DIAGRAM



Streamline and expedite your edge computing implementations

EDGEHOG OS

A flexible operating system that adapts to your needs, thanks to the customization tool and Docker support. Reliability and security are built-in through a dual-partition system and native integration with Exein's robust AI-based protection.

DATA ORCHESTRATION

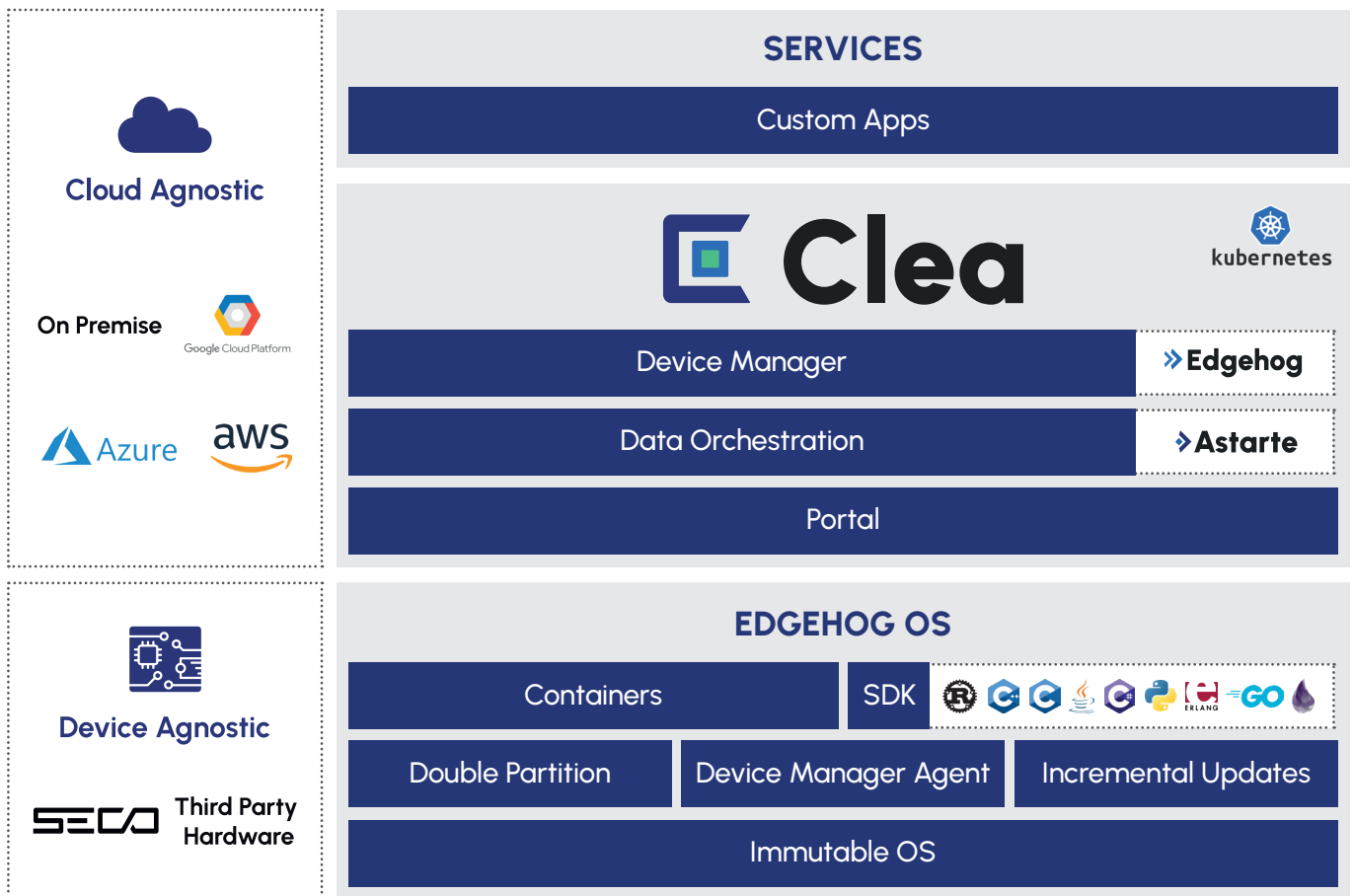
Integrate third-party services, simplify data flows and analysis, and enhance business efficiency by enabling easy and fast utilization of AI.

DEVICE MANAGER

Update, configure, and manage remote devices. Optimize time and costs to maximize operational efficiency and security without the need for costly field interventions.

PORTAL

Analyze data from remote devices, customize the user experience with applications tailored to user needs, and manage user rights, company access, and tenant privileges.



Scan to know more about our solution

EDGEHOG OS



CLEA DOCS

