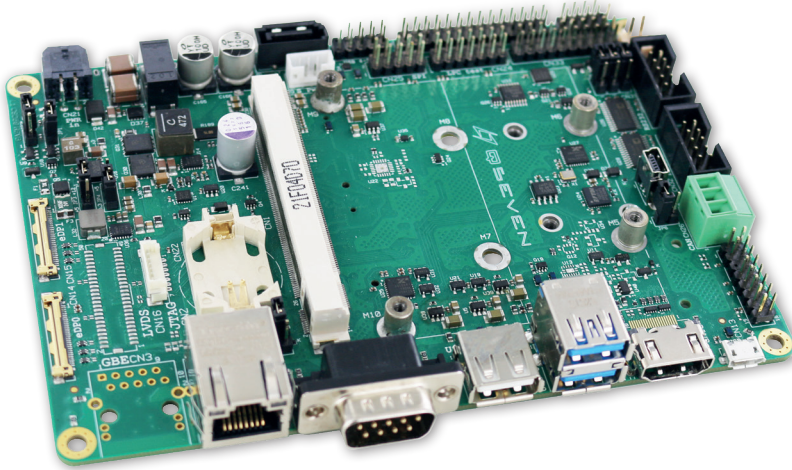




Carrier-Q7-D59

Carrier Board for Qseven® Rel. 2.0 / 2.1 Compliant Modules in the 3.5" Form Factor

Wide range of interfaces for broad development possibilities



HIGHLIGHTS

- 3.5" form factor carrier board for Qseven® modules
- Multiple video interfaces
- Multiple connectivity options
- Embedded industrial interfaces

Available in Industrial Temperature Range



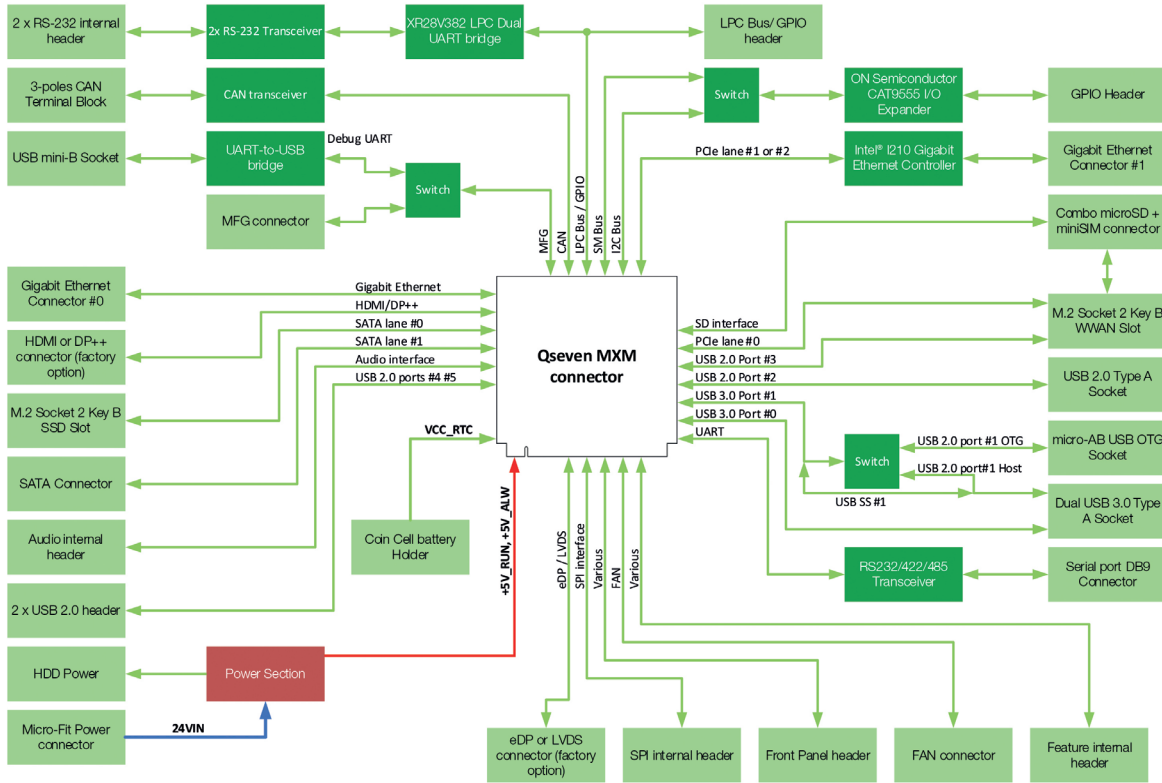
FEATURES

Video Interfaces	LVDS Single/Dual Channel 18-24-bit + HDMI® Connector or 2 x eDP connectors + Multimode Display Port	Power Supply	24V _{DC} ±5% through Micro-fit 2x2 power connector Coin cell battery Holder for CMOS and RTC
Mass Storage	1 x SATA connector with HDD Power connector 1 x M.2 Socket 2 2242 Key B SSD Slot microSD Slot on combo microSD + SIM connector	Operating Temperature*	-40°C ÷ +85°C (Industrial temperature range)
Networking	Up to 2 x Gigabit Ethernet connectors 1 x M.2 Socket 2 2242/3042 Key B Slot for WWAN Modem Modules, connected to on-board miniSIM slot	Dimensions	146 x 102 mm (5.75" x 4.02")
USB	2 x Superspeed USB 5Gbp Host port on Dual Type-A socket 1 x USB 2.0 Host ports on double Type-A sockets 1 x USB 2.0 Host on internal M.2 Socket 1 x USB 2.0 OTG port on micro-AB socket (USB port shared with USB 2.0 lanes of 1 x USB 3.0)	*All carrier board components must remain within the operating temperature at any and all times, including start-up; carrier operating temperature is independent of the module installed. Please refer to the specific module for more details. Actual temperature will widely depend on application, enclosure and/or environment. Upon customer to consider specific cooling solutions for the final system.	
Audio	Audio interface on internal pin header		
Serial Ports	4-wire RS-232 / RS-422 / RS-485 configurable serial port on DB9 male connector 2 x RS-232 Full-modem serial ports on internal header (need LPC interface from Qseven® module) CAN interface on PCB terminal block		
Other Interfaces	SPI internal pin header LPC Bus internal pin header SM Bus / I2C GPIO expander, makes available 16 x GPIOs on internal pin header Front Panel Header 1 x 28 pin connector for additional features (I2C, ACPI signals, SM Bus, Watch Dog, Thermal Management) +12V Tachometric FAN connector Optional Debug USB port on miniB socket Optional MFG connector for JTAG programming of Qseven® module		

Carrier-Q7-D59

Carrier Board for Qseven® Rel. 2.0 / 2.1 Compliant Modules in the 3.5" Form Factor

BLOCK DIAGRAM



Streamline and expedite your edge computing implementations

EDGEHOG OS

A flexible operating system that adapts to your needs, thanks to the customization tool and Docker support. Reliability and security are built-in through a dual-partition system and native integration with Exein's robust AI-based protection.

DATA ORCHESTRATION

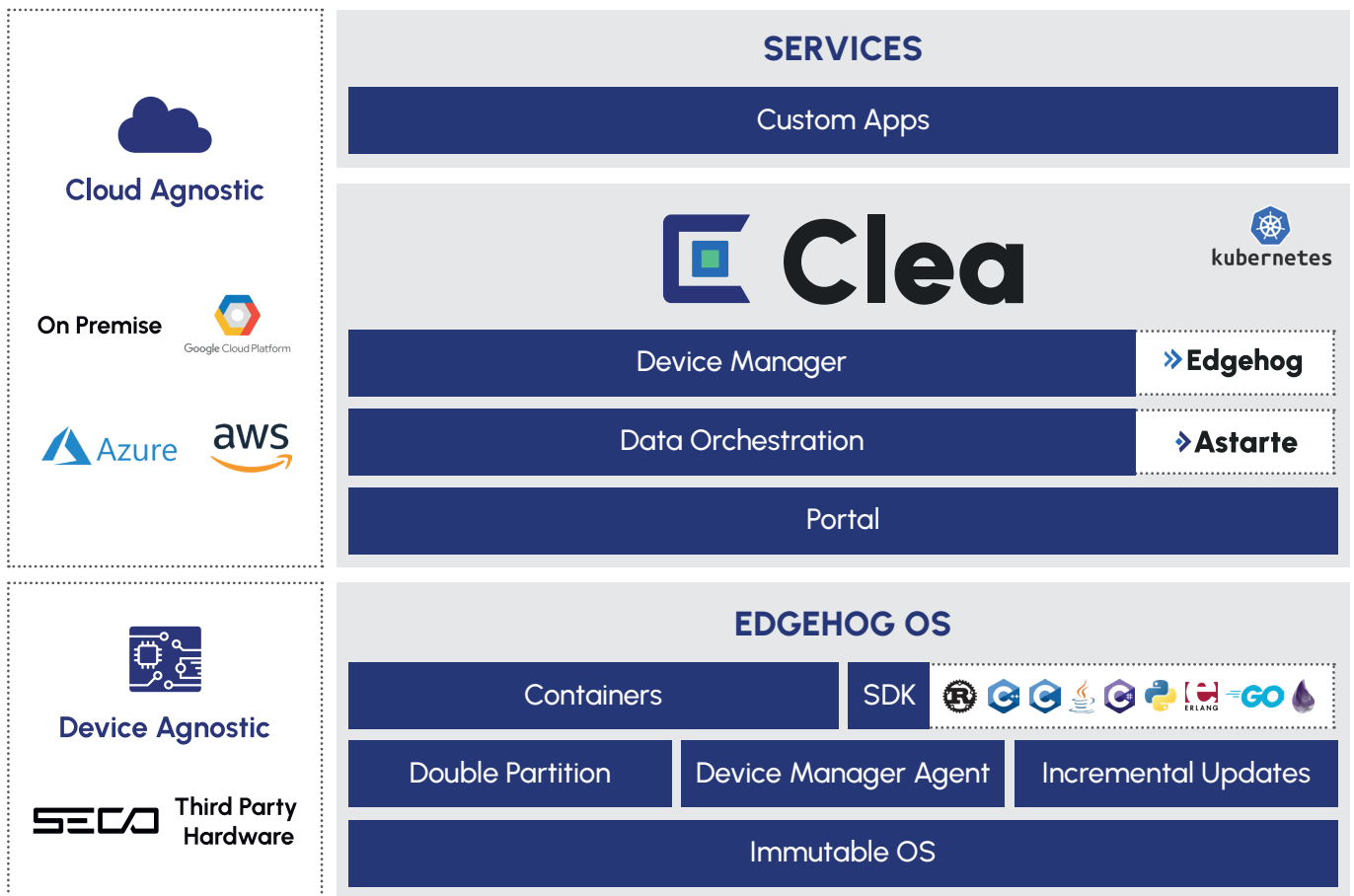
Integrate third-party services, simplify data flows and analysis, and enhance business efficiency by enabling easy and fast utilization of AI.

DEVICE MANAGER

Update, configure, and manage remote devices. Optimize time and costs to maximize operational efficiency and security without the need for costly field interventions.

PORTAL

Analyze data from remote devices, customize the user experience with applications tailored to user needs, and manage user rights, company access, and tenant privileges.



Scan to know more about our solution

EDGEHOG OS



CLEA DOCS

